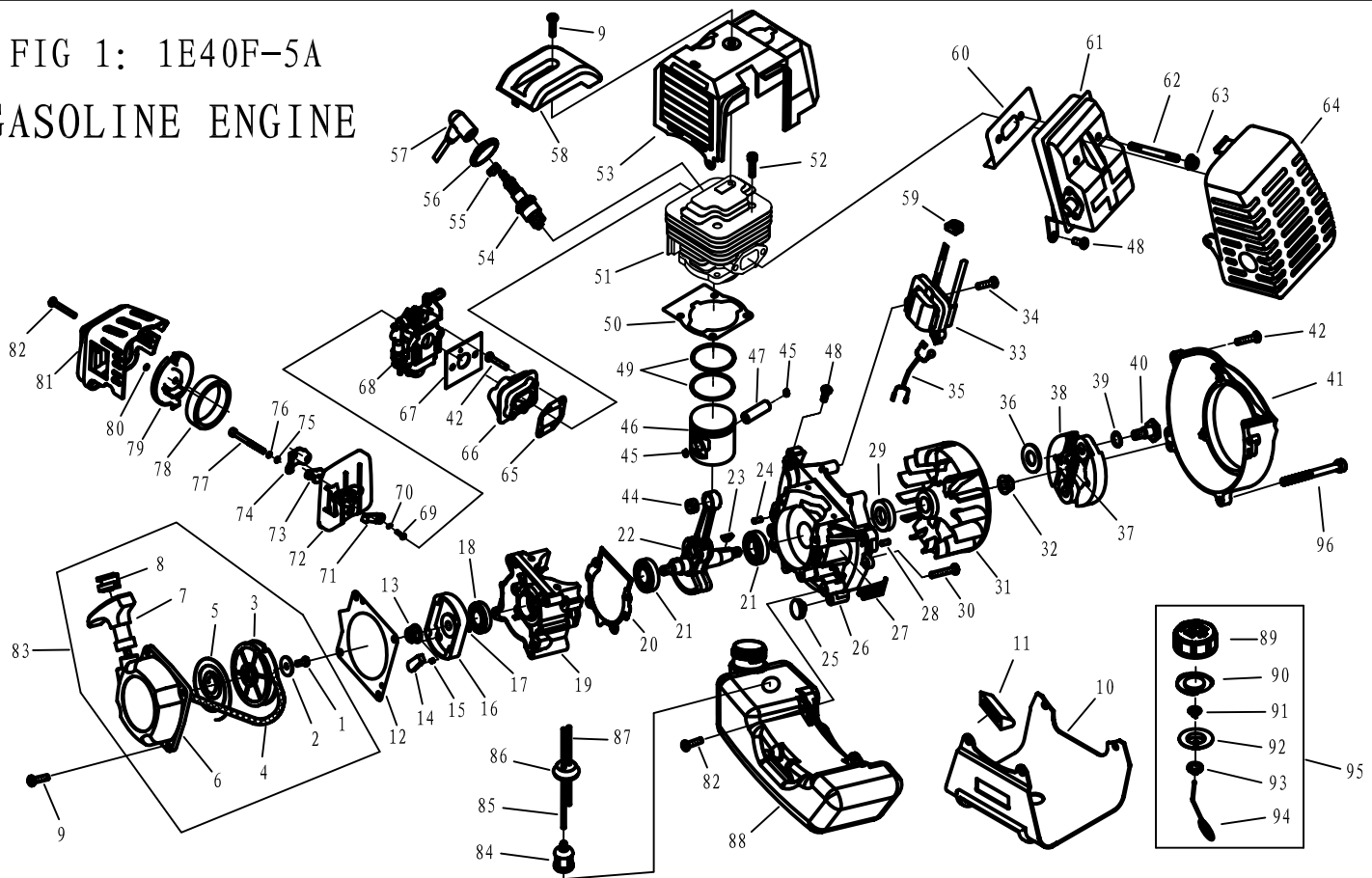


FIG 1: 1E40F-5A  
GASOLINE ENGINE



NO.	Part No.	Part Name	Qty.	NO.	Part No.	Part Name	Qty.	NO.	Part No.	Part Name	NO.
1	GB/T67	Screw M5 × 12-9.8	1	33		Coil	1	66	1E40F-5A.2	Admitting Pipe	1
2	1E40F-5.11-2	Washer	1	34	GB/T9074.13	Bolt M5 × 20	2	67	1E40F-5A-1	Gasket	1
3	1E40F-5.11-1	Start Rope Reel	1	35	SG230-2B	Cord Comp.	1	68	1E40F-5A.8A	Carburetor	1
4		Rope	1	36	1E36F-3	Washer B	2	69	GB/T845	Screw ST2.9 × 6.5	1
5	1E40FP-3Z.4-7	Recoil Spring	1	37	1E40F-5.6-1	Spring	1	70	GB/T97.1	Washer 3	1
6	1E40F-5.11.1	Start Cover Ass'y	1	38	1E40F-5.6.1	Expander	2	71	1E40F-5A.1.1-1	Choke Handle	1
7	1E40FP-3Z.4-2	Start Handle	1	39	1E40F-5-11	Washer	2	72	1E40F-5A.1.1.1	Inside Cover	1
8	1E40FP-3Z.4-10	Ring	1	40	1E40F-5-12	Screw Pin	2	73	1E40F-5A.1.1-2	Choke	1
9	GB/T9074.4	Screw M5 × 20	5	41	1E40F-5-9	Fan Cover	1	74	1E40F-5A.1.2	Bufler	1
10	BG520A.1A.2	Stand	1	42	GB/T9074.13	Bolt M5 × 25	4	75	GB/T97.1	Washer 5	2
11	1E40F-5A-2	Rubber Cover	1	44	1E40F-5.4-2	Bearing	1	76	GB/T93	Washer 5	2
12	1E40F-5-10	Gasket	1	45	1E40F-03.02.01	Ring	2	77	GB/T70.1	Screw M5 × 55	2
13	GB/T6170	Nut M8	1	46	1E40F-5.4-1	Piston	1	78	1E34F.1-1	Filter Net	1
14	1E46FP.4-2	Start Claw	1	47	1E46FP.6-3	Piston Pin	1	79	1E40F-5A.1-2	Inside Cover	1
15	1E36F.1.2-2	Start Spring	1	48	GB/T9074.4	Bolt M5 × 12	3	80	GB/T3452.1	O-Washer 3.15 × 1.8	1
16	1E40F-5.7-1	Start Reel	1	49	1E40FP-3Z.3-5	Piston Ring	2	81	1E40F-5A.1-1	Outside Cover	1
17	GB/T896	Stop Ring 4	1	50	1E40F-5-6	Gasket	1	82	GB/T9074.4	Screw M5 × 16	3
18	1E36F.2	Seal	1	51	1E40F-5-4	Cylinder	1	83	1E40F-5.11	Starter	1
19	1E40F-5.8-2	Crank Case	1	52	GB/T70	Screw M5 × 20	4	84	1E34F.9.2-3	Cleaner Cover	1
20	1E40F-5.8-4	Gasket	1	53	1E40F-5.5	Guide Cover Ass'y	1	85	1E40F-5A.4.2-2	Fuel Pipe	1
21	GB/T276	Bearing 6202/P5	2	54	L6 (LD)	Spark Plug	1	86	1E36FF.8.1-1	Plug	1
22	1E40F-5.4.1	Crank Shaft	1	55		Spring	1	87	1E40F-5A.4.2-1	Fuel Pipe	1
23	GB/T1099	Key 3 × 13	1	56		Plug Cap	1	88	1E40F-5A.4.1	Fuel Tank	1
24	GB/T119	Pin B5 × 12	2	57		Cap	1	89	1E32FL.6.2-1	Fuel Tank Lid	1
25	1E40F-5A.4.2-1	Rubber Washer	2	58	1E40F-5-8	Cover	1	90	CG420.1.3.1-2	Gasket	1
26	1E40F-5.8-1	Crank Case	1	59	1E40F-5.3-1	Plug	1	91	EB415.4.1.1-1	Inlet	1
27	1E40F-5.8-3	Guide Cover	1	60	1E40F-5-5	Gasket	1	92	1E32FL.6.2-2	Inside Cover	1
28	GB/T119	Pin B4 × 10	2	61	1E40F-5.2	Muffler	1	93	1E32FL.6.2-3	Inside Cover	1
29	1E40F-5.9	Seal	1	62	1E40F-5-13	Bolt	2	94	1E32FL.6.2-4	Chain	1
30	GB/T9074.4	Screw M5 × 30	4	63	GB/T6177	Nut M6	2	95	1E32FL.6.2	Fuel Tank Lid COMP.	1
31		Fly Wheel	1	64	1E40F-5-7	Muffler Cover	1	96	GB/T9074.13	Screw M5 × 25	2
32	GB/T6177.1	Nut M8	1	65	1E40F-5-2	Admitting Pipe	1				