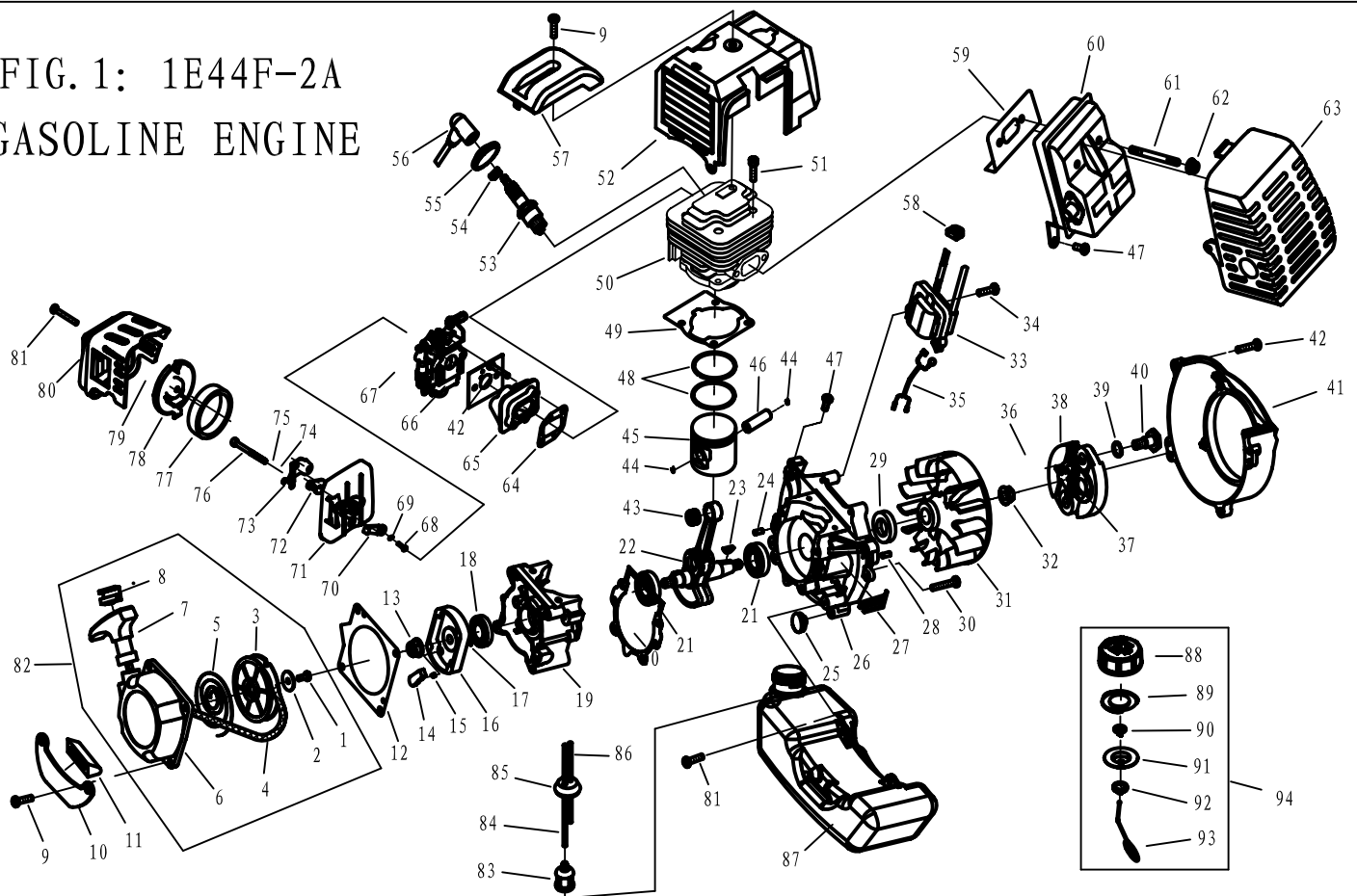


FIG. 1: 1E44F-2A  
GASOLINE ENGINE



NO.	Part No.	Part Name	Qty.	No.	Part No.	Part Name	Qty.	No.	Part No.	Part Name	Qty.
1	GB/T67	Screw M5 × 12-9. 8-DZ	1	33		Stator	1	65	1E40F-5A. 2	Admitting Pipe	1
2	1E40F-5. 11-2	Washer	1	34	GB/T9074. 13	Bolt M5 × 20	2	66	1E40F-5A-1	Gasket	1
3	1E40F-5. 11-1	Start Rope Reel	1	35	SG230-2	Cord Comp.	1	67	1E44F-2A. 1	Carburetor	1
4		Rope	1	36	1E36F-3	Washer B	2	68	GB/T845	Screw ST2. 9 × 6. 5	1
5	1E40FP-3Z. 4-7	Recoil Spring	1	37	1E40F-5. 6-1	Spring	1	69	GB/T97. 1	Washer 3	1
6	1E40F-5. 11. 1	Start Cover Ass'y	1	38	1E40F-5. 6. 1	Expander	2	70	1E40F-5A. 1. 1-1	Choke Handle	1
7	1E40FP-3Z. 4-2	Start Handle	1	39	1E40F-5-11	Washer	2	71	1E40F-5A. 1. 1. 1	Inside Cover	1
8	1E40FP-3Z. 4-10	Ring	1	40	1E40F-5-12	Screw Pin	2	72	1E40F-5A. 1. 1-2	Choke	1
9	GB/T9074. 4	Screw M5 × 20	5	41	1E40F-5-9	Fan Cover	1	73	1E40F-5A. 1. 2	Baffle	1
10	1E40F-5A-4	Stand	1	42	GB/T9074. 13	Bolt M5 × 25	4	74	GB/T97. 1	Washer 5	2
11	1E40F-5A-2	Rubber Cover	1	43	1E44F-2A. 2-3	Bearing	1	75	GB/T93	Washer 5	2
12	1E40F-5-10	Gasket	1	44	1E40F-03. 02. 01	Ring	2	76	GB/T70. 1	Screw M5 × 55	2
13	GB/T6170	Nut M8	1	45	1E44F-2A. 2-1	Piston	1	77	1E34F. 1-1	Filter Net	1
14	1E46FP. 4-2	Start Claw	1	46	1E44F-2A. 2-2	Piston Pin	1	78	1E40F-5A. 1-2	Inside Cover	1
15	1E36F. 1. 2-2	Start Spring	1	47	GB/T9074. 4	Bolt M5 × 12	3	79	GB/T3452. 1	O-Washer 3. 15 × 1. 8	1
16	1E40F-5. 7-1	Start Reel	1	48	1E44F-2A. 2-4	Piston Ring	2	80	1E40F-5A. 1-1	Outside Cover	1
17	GB/T896	Stop Ring 4	1	49	1E40F-5-6	Gasket	1	81	GB/T9074. 4	Screw M5 × 16	3
18	1E36F. 2	Oil-seal	1	50	1E44F-2A-1	Cylinder	1	82	1E40F-5. 11	Starter	1
19	1E40F-5. 8-2	Crank Case	1	51	GB/T70. 1	Screw M5 × 20	4	83	1E34F. 9. 2-3	Cleaner Cover	1
20	1E40F-5. 8-4	Gasket	1	52	1E40F-5. 5	Guide Cover Ass'y	1	84	1E40F-5A. 4. 2-2	Fuel Pipe	1
21	GB/T276	Bearing 6202/P5	2	53	L6 (LD)	Spark Plug	1	85	1E36FF. 8. 1-1	Plug	1
22	1E44F-2A. 2. 1	Crank Shaft	1	54		Spring	1	86	1E40F-5A. 4. 2-1	Fuel Pipe	1
23	GB/T1099	Key 3 × 13	1	55		Plug Cap	1	87	1E40F-5A. 4. 1	Fuel Tank	1
24	GB/T119	Pin B5 × 12	2	56		Cap	1	88	1E32FL. 6. 2-1	Fuel Tank Lid	1
25	1E40F-5A. 4. 2-1	Rubber Washer	2	57	1E40F-5-8	Cover	1	89	CG420. 1. 3. 1-2	Gasket	1
26	1E40F-5. 8-1	Crank Case	1	58	1E40F-5. 3-1	Plug	1	90	EB415. 4. 1. 1-1	Inlet	1
27	1E40F-5. 8-3	Guide Cover	1	59	1E40F-5-5	Gasket	1	91	1E32FL. 6. 2-2	Inside Cover	1
28	GB/T119	Pin B4 × 10	2	60	1E40F-5. 2	Muffler	1	92	1E32FL. 6. 2-3	Lid	1
29	1E40F-5. 9	Oil-seal	1	61	1E40F-5-13	Bolt	2	93	1E32FL. 6. 2-4	Chain	1
30	GB/T9074. 4	Screw M5 × 30	4	62	GB/T6177. 1	Nut M6	2	94	1E32FL. 6. 2	Fuel Tank Lid COMP.	1
31		Fly Wheel	1	63	1E40F-5-7	Muffler Cover	1				
32	GB/T6177. 1	Nut M8	1	64	1E40F-5-2	Admitting Pipe	1				