

FIGURE 1
EXPLODED VIEW OF IE34FB

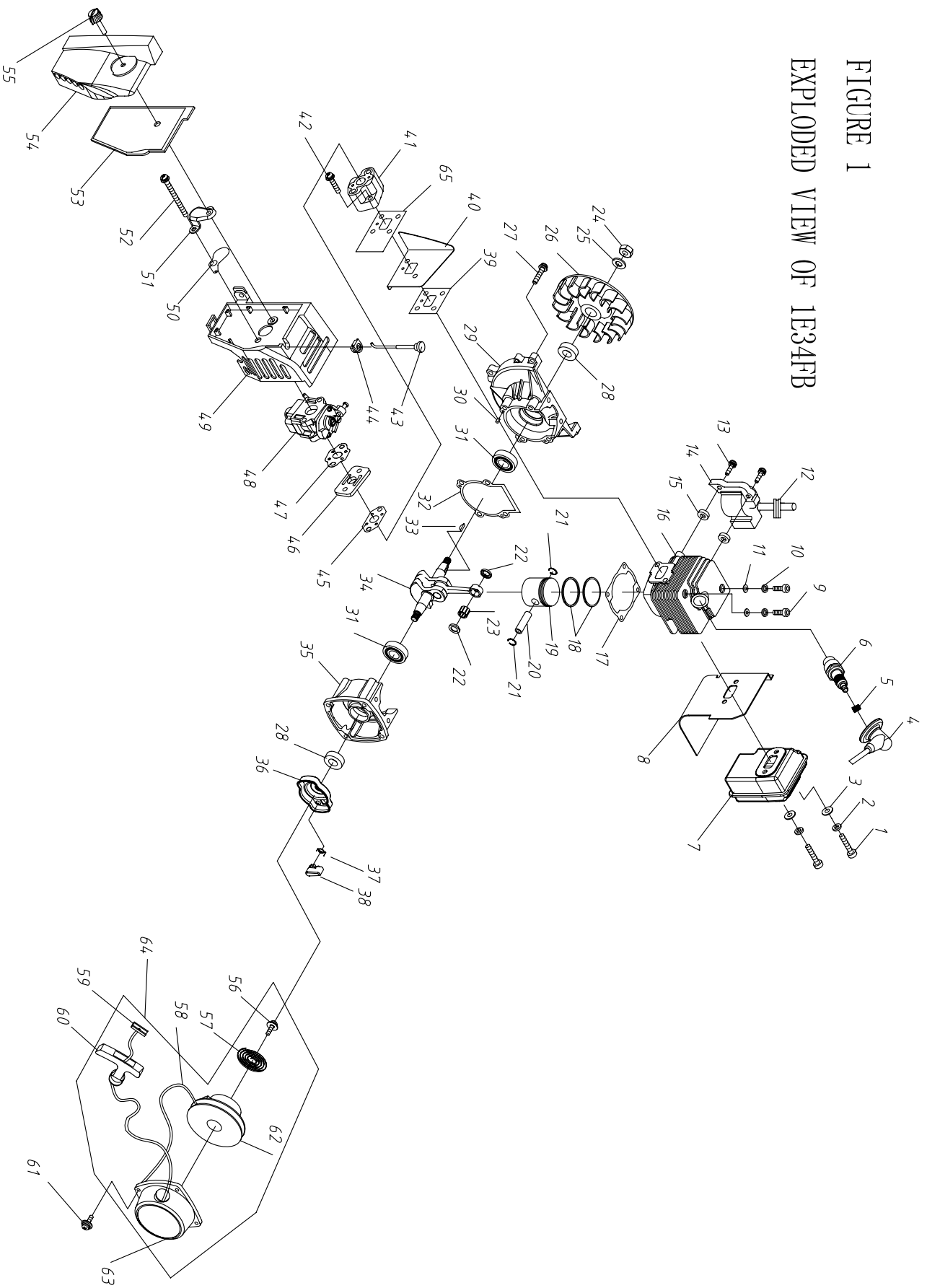
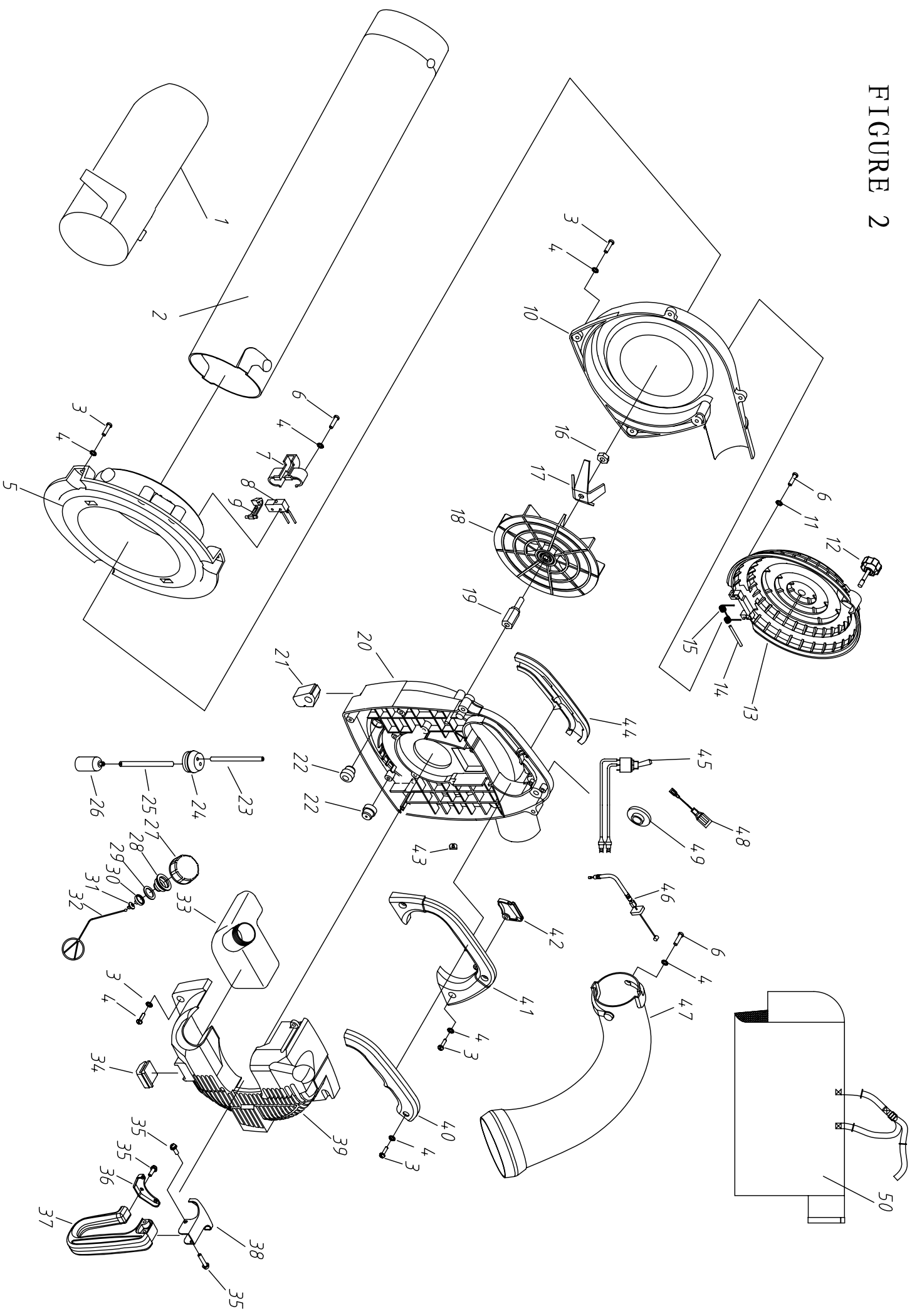


FIGURE 2



List of Parts of Attached Figure 2

Ser. NO.	Part NO.	Part Name	Qty.	Ser. NO.	Part NO.	Part Name	Qty.	Ser. NO.	Part NO.	Part Name	Qty.
1	EBV260-8	PIPE (2)	1	18	EBV260. 2. 1	IMPELLER	1	35	GB9074. 3	SCREW	3
2	EBV260A-1	PIPE (1)	1	19	EBV260-1	LINK SHAFT	1	36	EBV260. 1-2	DRAG BOARD	1
3	GB/T818	SCREW	15	20	EB-260. 1. 1	VOLUTE CASE	1	37	EBV260. 1. 1	HANDGRIP	1
4	GB848	WASHER	22	21	EB-260-10	SUPPORT	2	38	EBV260. 1-1	DRAG BOARD	1
5	EBV260A. 1. 1. 1	LINK BOARD	1	22	EB-260-14	SUPPORT	2	39	EB-260-1	PROTECTION	1
6	GB/T818	SCREW	4	23	EB-260. 5-2	TUBE	1	40	EB-260-3	HANDLE COVER	1
7	EBV260. 2. 3-2	SWITCH CARAPAGE	1	24	1E36FF. 8. 1-1	PLUG	1	41	EB-260-2	HANDLE	1
8	EBV260. 2. 3. 2	SWITCH	1	25	EB-260. 5-3	FUEL TUBE	1	42	EB-260-9	SWITCH	1
9	EBV260. 2. 3-1	SWITCH ANTENNA	1	26	1E34F. 9. 2-3	FILTER	1	43	1E34F. 5-1	RUBBER PLUG	2
10	EBV260. 2. 2	VOLUTE CASE	1	27	1E32FL. 6. 2-1	FUEL TANK LID	1	44	EB-260-4	HANDLE COVER	1
11	GB96	WASHER	1	28	1E32FL. 6. 2-2	LID	1	45	EBV260. 4A	STOP SWITCH	1
12	EBV260. 2. 4	SCREW	1	29	CG420. 1. 3. 1-2	SEALING WASHER	1	46	EB-260. 4	FUEL THROTTLE	1
13	EBV260. 2-1	NET COVER	1	30	1E32FL. 6. 2-3	END COVER	1	47	EBV260-6	COLLECT PLUG	1
14	EBV260. 2-2	SPRING SCREW	1	31	EB-415. 4. 1. 1-1	AIRVALVE	1	48	EBV260. 3	STOP WIRE	2
15	EBV260. 2-3	SPING	1	32	1E32FL. 6. 2-4	CHAIN	1	49	EB-260-KG-1	SWITCH SEAT	1
16	GB/T889. 1	NUT	1	33	EB-260. 5-1	FUEL TANK	1	50	EBV260. 5	SACK	1
17	EBV260-2	COMMUNUTE BOARD	1	34	EB-260-12	SUPPORT	1				