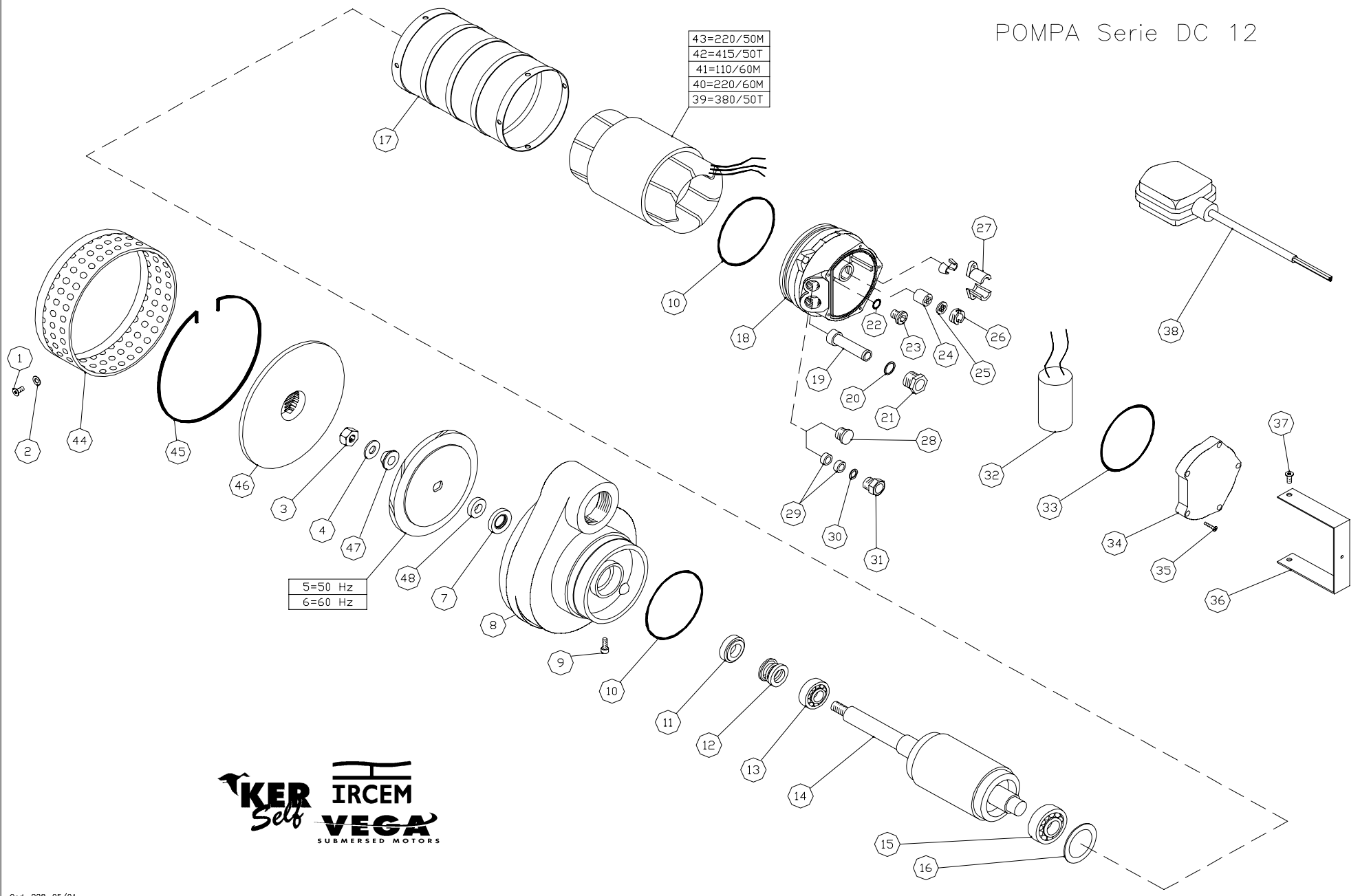


POMPA Serie DC 12

43=220/50M
42=415/50T
41=110/60M
40=220/60M
39=380/50T

5=50 Hz
6=60 Hz



POMPA Serie DCL 12

43=220/50M
42=415/50T
41=110/60M
40=220/60M
39=380/50T

5=50 Hz
6=60 Hz

