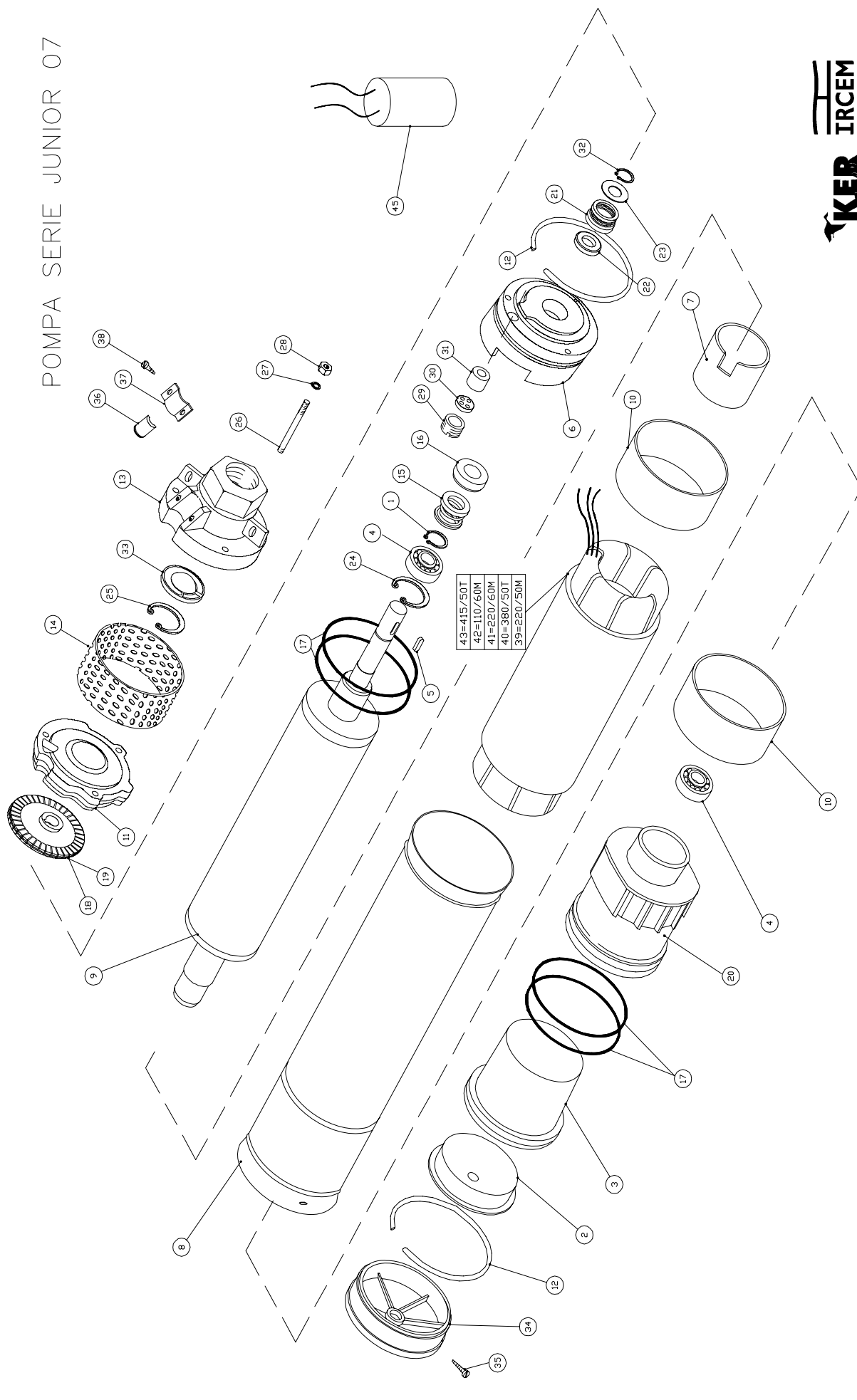


POMPA SERIE JUNIOR 07



43=415/50T
42=110/60M
41=220/60M
40=380/50T
39=220/50M



