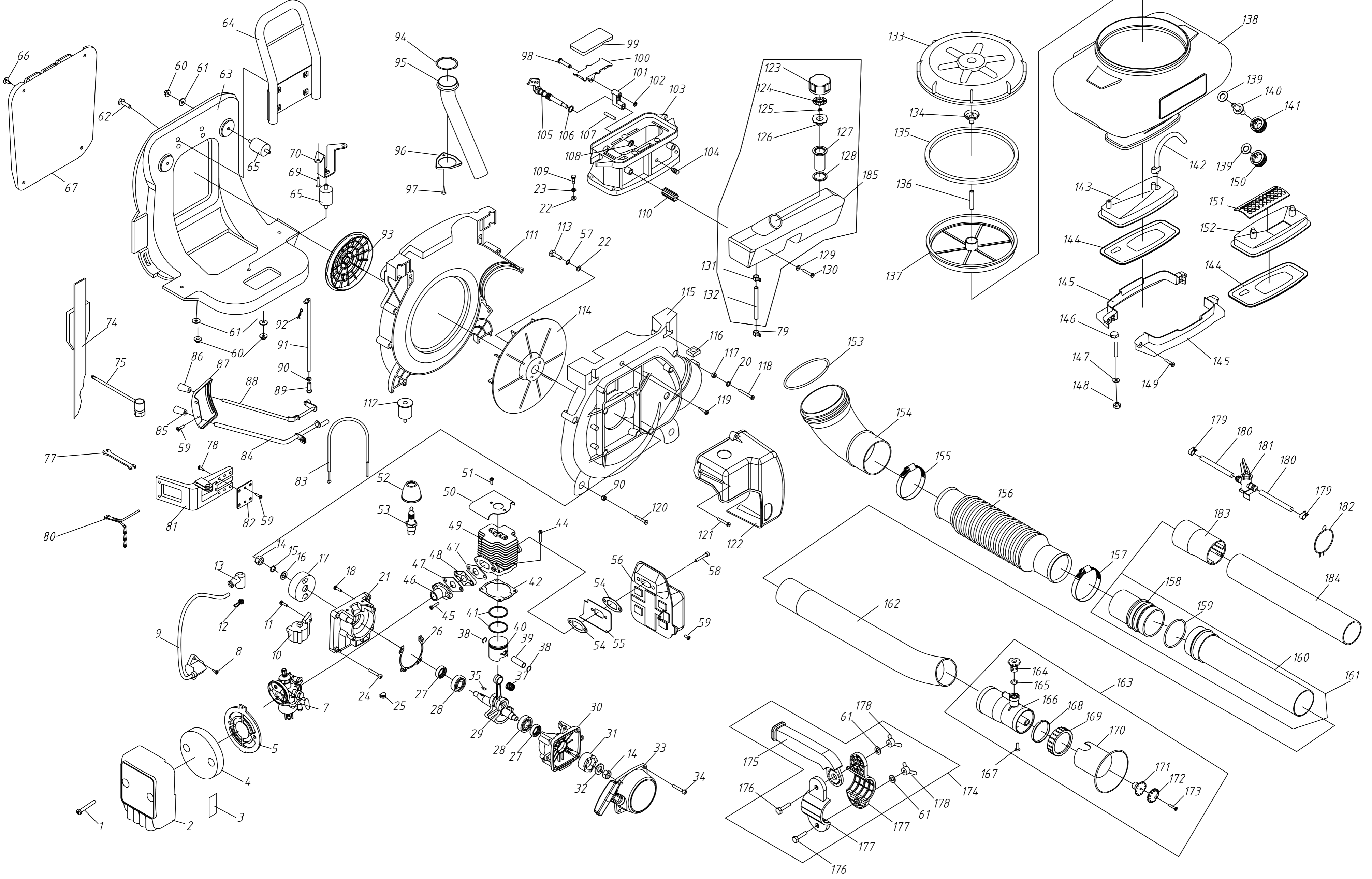


3WF-3A 背负式喷雾喷粉机分解图 (1)

The Parts List of Model 3WF-3 Knapsack Mist-duster (1)



3WF-3A 背负式喷雾喷粉机分解图 (2)

The Parts List of Model 3WF-3 Knapsack Mist-duster (2)

| 序号 Ser.No. | 零件代号 Part No. | 零件名称 Part Name | 数量 Qty | 序号 Ser.No. | 零件代号 Part No. | 零件名称 Part Name | 数量 Qty | 序号 Ser.No. | 零件代号 Part No. | 零件名称 Part Name | 数量 Qty | 序号 Ser.No. | 零件代号 Part No. | 零件名称 Part Name | 数量 Qty | 序号 Ser.No. | 零件代号 Part No. | 零件名称 Part Name | 数量 Qty | | | | | | |
|---------------|---------------------|---------------------------|-----------|---------------|------------------------|--------------------------------------|-----------|---------------|--------------------|-------------------------|-----------|---------------|---|----------------------------|-----------|---------------|---|-------------------------|-----------|-----|---------------|---------------------|---|--|--|
| 1 | 1E40FP-3Z. 6-1 | 空滤器外罩 outside cover | 1 | 37 | 1E40FP-3Z. 3A. 2 | 小头滚针轴承 bearing | 1 | 73 | GB/T93 6 | 垫圈 washer | 2 | 109 | GB/T9074. 13 M6×40 | 螺栓组合 bolt | 4 | 145 | 3WF-3-1 | 夹紧板 clamp | 2 | 181 | 3WF-3. 19. 1 | 开关组合 cock assem | 1 | | |
| 2 | 1E40FP-3Z. 6-2 | 空滤器滤芯 filter | 2 | 38 | 1E40FP-3Z. 3-4 | 活塞销挡环 ring | 2 | 74 | 3WF-28. 7 | 背带组合 belt component | 2 | 110 | 3WF-3-23 | 油箱支撑柱 fuel tank support | 2 | 146 | GB/T5783 M8×45 | 螺栓 bolt | 2 | 182 | 3WF-3. 19-2 | 卡箍 clamp | 1 | | |
| 3 | 1E40FP-3Z. 6-5 | 空滤器铁网 iron net | 1 | 39 | 1E40FP-3Z. 3-3 | 活塞销 piston pin | 1 | 75 | 3WF-3. 26. 3 | 套筒扳手 spanner | 1 | 111 | 3WF-3. 13 | 后半蜗壳组合 volute case | 1 | 147 | GB/T96 8 | 垫圈 washer | 2 | 183 | 3WF-3. 21-1 | 导风管 guide pipe | 1 | | |
| 4 | GB/T9074. 4 M4×16 | 螺钉组合件 screw assem | 2 | 40 | 1E40FP-3Z. 3-2 | 活塞 piston | 1 | 76 | | | | 112 | 3WF-3. 5 | 橡胶柱组合 rubber pillar | 2 | 148 | GB/T6170 M8 | 螺母 nut | 2 | 184 | 3WF-3. 21-2 | 连接管 connect pipe | 1 | | |
| 5 | 1E40FP-3Z. 6-4 | 空滤器内罩 inside cover | 1 | 41 | 1E40FP-3Z. 3-5 | 活塞环 piston ring | 2 | 77 | QGZ40-35. 12-5 | 双头呆扳手 spanner | 1 | 113 | GB/T5783 M6×35 | 螺栓 bolt | 2 | 149 | GB/T9074. 4 M6×25 | 螺钉组合件 screw assem | 2 | 185 | 3WF-2. 6. 2-1 | 油箱 fuel tank | 1 | | |
| 6 | 1E40FP-3Z. 6-3 | 空滤器卡簧 clip spring | 1 | 42 | 1E40FP-3Z-6 | 缸体密封垫 sealing washer | 1 | 78 | 3WF-20. 9-1 | 螺钉 M5*10 screw | 4 | 114 | 3WF-3-13 | 叶轮 impeller | 1 | 150 | 3WF-3. 17. 2-1 (14L, 20L) 3WF-6. 5-1 (26L) | 药箱下盖 lid | 1 | | | | | | |
| 7 | 1E40FP-3Z. 1 | 化油器 carburettor | 1 | 43 | | | | 79 | BG415-8 | 油管卡 clip | 1 | 115 | 3WF-3. 14 | 前半蜗壳组合 volute case | 1 | 151 | 3WF-2. 6A. 1-2 | 下粉隔板 plate | 1 | | | | | | |
| 8 | GB/T845 ST4.2×16 | 螺钉 screw | 2 | 44 | GB/T70. 1+GB93 | 螺钉组合 M5×20 screw M5×20 | 4 | 80 | 3WF-3. 25. 4 | 保险链 insurance chain | 1 | 116 | 3WF-3-2 | 方螺母 nut | 4 | 152 | 3WF-3. 7-2 | 喷粉盖板 dusting plate | 1 | | | | | | |
| 9 | 1E40FP-3Z. 5 | 点火线圈 winding | 1 | 45 | GB/T9074. 4 M5×25 | 螺钉组合件 screw assem | 2 | 81 | 3WF-3. 2 | 支架焊合 support frame | 1 | 117 | GB/T889. 1 M5 | 螺母 nut | 2 | 153 | GB1235 100×3. 1 | O形密封圈 sealing washer | 1 | | | | | | |
| 10 | 1E40FP-3Z. 5 | 电源线圈 winding | 1 | 46 | 1E40FP-3Z-2 | 进气管 flange | 1 | 82 | 3WF-3-16 | 垫板 plate | 1 | 118 | 3WF-3-10 | 长螺钉 long screw | 2 | 154 | 3WF-3-6 | 弯管 bend pipe | 1 | | | | | | |
| 11 | GB/T9074. 4 M4×20 | 螺钉组合件 screw assem | 2 | 47 | 1E40FP-3Z-4 | 衬垫 gasket | 2 | 83 | 3WF-3. 25. 1 | 油门钢丝绳 throttle rope | 1 | 119 | GB/T845 ST4.8×25 | 螺钉 screw | 1 | 155 | ∅78-∅101 | 喉箍 clip assem | 1 | | | | | | |
| 12 | 1E40FP-3Z-22 | 火花塞卡簧 spring | 1 | 48 | 1E40FP-3Z-3 | 隔热垫 insulator | 1 | 84 | 3WF-3. 4 | 油门控制杆组合 throttle rod | 1 | 120 | GB/T9074. 1 M5×30 | 螺钉组合件 screw | 9 | 156 | 3WF-3. 19-4 | 大软管 hose | 1 | | | | | | |
| 13 | 1E40FP-3Z-21 | 火花塞帽 cap | 1 | 49 | 1E40FP-3Z-7 | 缸体 cylinder | 1 | 85 | 3F-30. 6-2 (red) | 油门操纵杆 handle | 1 | 121 | XSS46-2. 2-5 | 螺钉 M5*20 screw M5*20 | 4 | 157 | 3WF-3. 19. 5 | 2号卡环组件 clip assem | 1 | | | | | | |
| 14 | 1E40FP-3Z-16 | 螺母M10×1 nut | 2 | 50 | 1E40FP-3Z-8 | 导风罩 cover | 1 | 86 | 3F-30. 6-2 (black) | 油门操纵杆 handle | 1 | 122 | 3WF-3-19 | 防护罩 protection | 1 | 158 | 3WF-3. 19. 2-1 | 接头 connector | 1 | | | | | | |
| 15 | GB/T859 10 | 垫圈 washer | 1 | 51 | GB/T9074. 4 M5×10 | 螺钉组合件 screw assem | 2 | 87 | 3WF-3-4 | 测量壳 graduator | 1 | 123 | BG305. 10. 2-1 | 油箱盖 fuel tank lid | 1 | 159 | GB1235 65×3. 1 | O形密封圈 sealing washer | 1 | | | | | | |
| 16 | GB/T848 10 | 垫圈 washer | 1 | 52 | 1E40FP-3Z-9 | 火花塞罩壳 cap | 1 | 88 | 3WF-3. 3 | 粉门操纵杆组合 dust rod | 1 | 124 | BG305. 10. 2-3 | 塑料内盖 plastic lid | 1 | 160 | 3WF-3. 19. 2-2 | 直管 pipe | 1 | | | | | | |
| 17 | 1E40FP-3Z. 5 | 转子 rotor | 1 | 53 | 4106J | 火花塞 spark plug | 1 | 89 | 3WF-3-15 | 接头体 connector | 1 | 125 | BG-328. 7-4 | 滤芯 filter net | 1 | 161 | 3WF-3. 19. 2 | 接头组合 connector assem | 1 | | | | | | |
| 18 | GB/T70. 1+GB93 | 螺钉组合 M5×30 screw M5×30 | 4 | 54 | 1E40FP-3Z-18 | 消音器隔热垫 gasket | 2 | 90 | GB/T6170 M5 | 螺母 nut | 10 | 126 | BG305. 10. 2-2 | 橡胶内盖 rubber lid | 1 | 162 | 3WF-3. 19-3 | 长弯管 long bend pipe | 1 | | | | | | |
| 19 | | | | 55 | 1E40FP-3Z-5 | 消音器挡风板 gasket | 1 | 91 | 3WF-3-12 | 粉门拉杆 pulling rod | 1 | 127 | BG305. 10. 1 | 滤网网铸合 filter | 1 | 163 | 3WF-3. 19. 3 | 喷头组合 nozzle assem | 1 | | | | | | |
| 20 | | | | 56 | 1E40FP-3Z. 2 | 消音器 muffle | 1 | 92 | 3WF-2. 6A-2 | 开口销 spanner | 1 | 128 | BG305. 10-2 | 滤网密封垫 sealing washer | 1 | 164 | 3WF-3. 19. 3-3 | 测量阀 valve | 1 | | | | | | |
| 21 | 1E40FP-3Z-14 | 前半曲轴箱 front crankcase | 1 | 57 | | | | 93 | 3WF-3-14 | 风机罩 net cover | 1 | 129 | GB/T96 5 | 垫圈 washer | 2 | 165 | GB1235 16×2. 4 | O形密封圈 sealing washer | 1 | | | | | | |
| 22 | | | | 58 | GB/T70. 1+GB93+GB97. 1 | 螺钉组合M6×35-10. 9 screw M6×35-10. 9 | 2 | 94 | 3WF-3-9 | 密封圈 washer | 1 | 130 | GB/T818 M5×55 | 螺钉 screw | 2 | 166 | 3WF-3. 19. 3-4 | 喷管 shot pipe | 1 | | | | | | |
| 23 | | | | 59 | GB/T9074. 4 M5×12 | 螺钉组合件 screw assem | 5 | 95 | 3WF-2. 6. 6-1 | 下粉管 pipe | 1 | 131 | 3WF-3-3 | 小卡环甲 clip | 1 | 167 | GB/T818 M5×12 | 螺钉 screw | 1 | | | | | | |
| 24 | GB/T70. 1+GB93+GB97 | 螺钉组合 M6×30 screw M6×30 | 4 | 60 | GB/T6177. 1 M6 | 螺母 nut | 5 | 96 | 3WF-3-8 | 盖 lid | 1 | 132 | BG415-6 | 油管 tube | 0.32 | 168 | 3WF-3. 19. 3-1 | 密封环 sealing washer | 1 | | | | | | |
| 25 | 1E40FP-3Z-20 | 点火线圈固定套 fixity | 1 | 61 | GB/T96 6 | 垫圈 washer | 7 | 97 | GB/T845 ST4.2×13 | 自攻螺钉 screw | 3 | 133 | 3WF-3. 17. 1-2 | 药箱盖 lid | 1 | 169 | 3WF-3. 19. 3-2 | 压盖 lid | 1 | | | | | | |
| 26 | 1E40FP-3Z-13 | 曲轴箱密封垫 sealing washer | 1 | 62 | GB/T90740. 1 M6×16 | 螺钉 screw | 4 | 98 | 3WF-3. 6-3 | 滑板销 pin | 1 | 134 | 3WF-3. 17. 1-1 | 进气嘴 air valve | 1 | 170 | 3WF-3. 19. 3-5 | 喷嘴 nozzle | 1 | | | | | | |
| 27 | 1E40FP-3Z-11 | 小油封 seal | 2 | 63 | 3WF-3. 12 | 机架组合 frame | 1 | 99 | 3WF-3. 6-2 | 橡胶盖板 rubber plate | 1 | 135 | 3WF-3. 17. 1-3 | 药箱盖密封圈 sealing washer | 1 | 171 | 3WF-3. 19. 3-1-2 | 后喷片 nozzle piece | 1 | | | | | | |
| 28 | GB/T276 6202/P5 | 滚动轴承 bearing | 2 | 64 | 3WF-3. 9 | 背带梁组合 belt frame | 1 | 100 | 3WF-3. 6-1 | 滑板 slide | 1 | 136 | GB/T13527. 1 8×1. 5×500 | 软聚氯乙烯管 tube | 1 | 172 | 3WF-3. 19. 3-1-1 | 后喷片 nozzle piece | 1 | | | | | | |
| 29 | 1E40FP-3Z. 3A. 1 | 曲轴连杆组 crankshaft | 1 | 65 | 3WF-2. 6A. 6 | 减震柱组合 rubber pillar | 3 | 101 | 3WF-3. 6-4 | 支撑臂 support arm | 1 | 137 | 3WF-3. 20. 1 | 滤网铸合 filter | 1 | 173 | GB/T846 ST2. 9×16 | 螺钉 screw | 1 | | | | | | |
| 30 | 1E40FP-3Z-12 | 后半曲轴箱 back crankcase | 1 | 66 | 3WF-2. 6B-2 | 卡子 clip | 7 | 102 | GB/T896 5 | 挡圈 ring | 1 | 138 | 3WF-3. 17-1 (14L) 3WF-3. 17-1A (20L) 3WF-2. 6A. 1-1 (26L) | 药箱 chemical tank | 1 | 174 | 3WF-3. 19. 6 | 手柄组装 handle assem | 1 | | | | | | |
| 31 | 1E40FP-3Z-19 | 启动拨盘 ratchet | 1 | 67 | 3WF-3. 11 | 靠背组合 back mat | 1 | 103 | 3WF-3. 1 | 闸门体组合 shutter | 1 | 139 | 3WF-3. 17. 2-2 (14L, 20L) 3WF-3A. 1-2 (26L) | 药箱下盖密封圈 sealing washer | 1 | 175 | 3WF-3. 19. 6-1 | 手柄 handle | 1 | | | | | | |
| 32 | GB/T97. 1 10 | 垫圈 washer | 1 | 68 | | | | 104 | 3WF-3-21 | 堵头 plug | 1 | 140 | 3WF-3. 20. 2-2 (14L, 20L) 3WF-3A. 1-1 (26L) | 接管 link pipe | 1 | 176 | GB/T5781 M6×30 | 螺栓 bolt | 2 | | | | | | |
| 33 | 1E40FP-3Z. 4 | 启动器 starter | 1 | 69 | GB/T9074. 4 M5×16 | 螺钉组合件 screw assem | 2 | 105 | 3WF-3-22 | 摇臂轴 rocker shaft | 1 | 141 | 3WF-3. 20. 2-1 (14L, 20L) 3WF-3A. 1-3 (26L) | 接管压盖 connector lid | 1 | 177 | 3WF-3. 19. 6-2 | 夹板 clamp | 2 | | | | | | |
| 34 | GB/T9074. 4 | 螺钉组合M5*16 bolt M5*16 | 4 | 70 | 3WF-3A. 3 | 底支承组合 support | 1 | 106 | GB1235 14×2. 4 | O形密封圈 sealing washer | 1 | 142 | 3WF-3. 20-1 | 输液短管 tube | 1 | 178 | GB/T62 M6 | 螺母 nut | 2 | | | | | | |
| 35 | 1E40FP-3Z. 3-1 | 半圆键 key | 1 | 71 | | | | 107 | 3WF-2. 6. 6-3 | 销 pin | 1 | 143 | 3WF-3. 20-2 | 喷雾盖板 misting plate | 1 | 179 | 3WF-3. 19-1 | 小卡环甲 clip | 4 | | | | | | |
| 36 | | | | 72 | GB/T97. 1 6 | 垫圈 washer | 2 | 108 | GB/T896 9 | 挡圈 ring | 1 | 144 | 3WF-3. 7-1 | 粉盖密封圈 sealing washer | 2 | 180 | GB/T13527. 1 10×1. 5×830 | 软聚氯乙烯管 tube | 2 | | | | | | |