

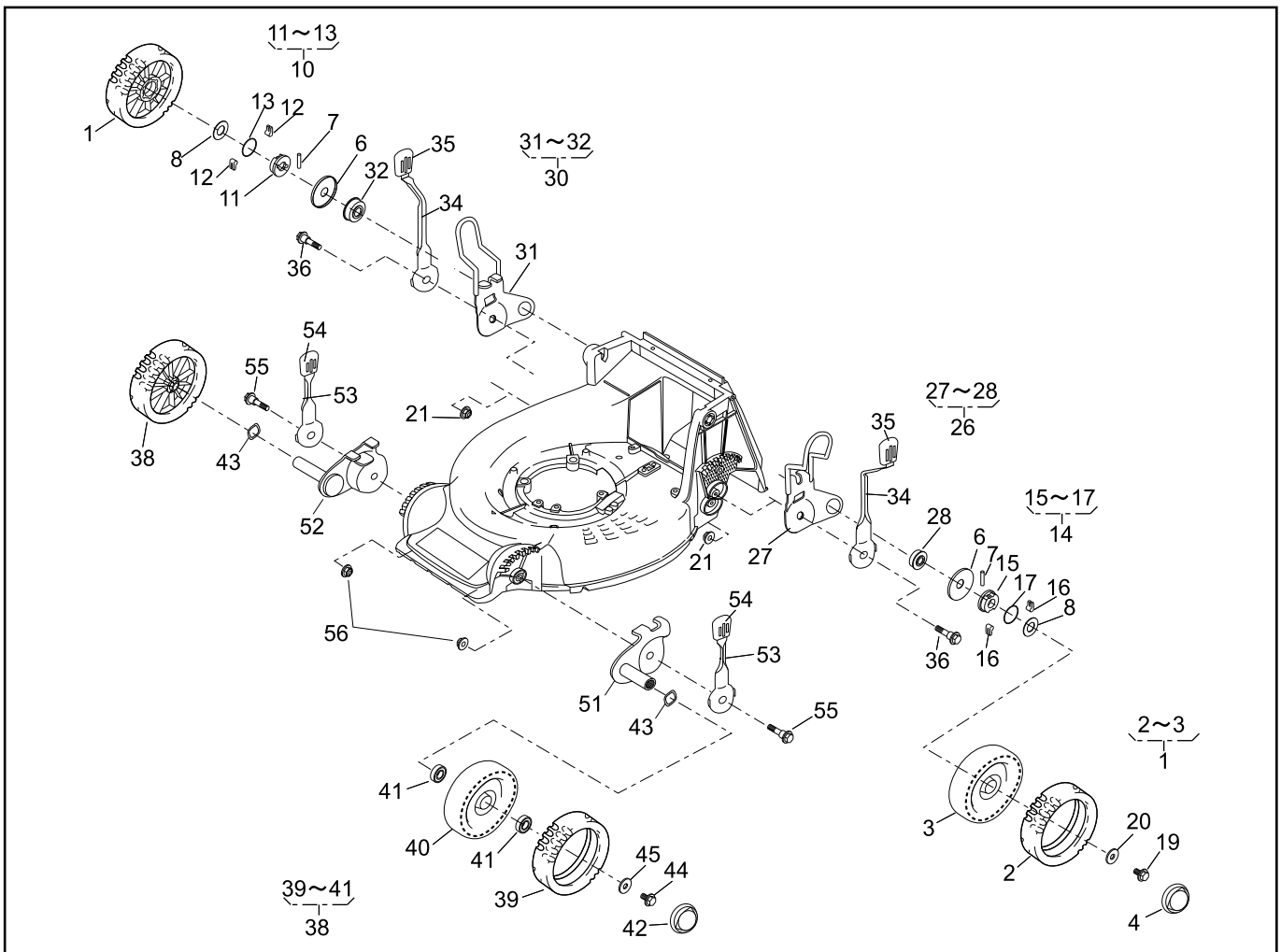
PARTS LIST

GEAR CASE ASSY (71008-326)

46014-307-01

NOTE

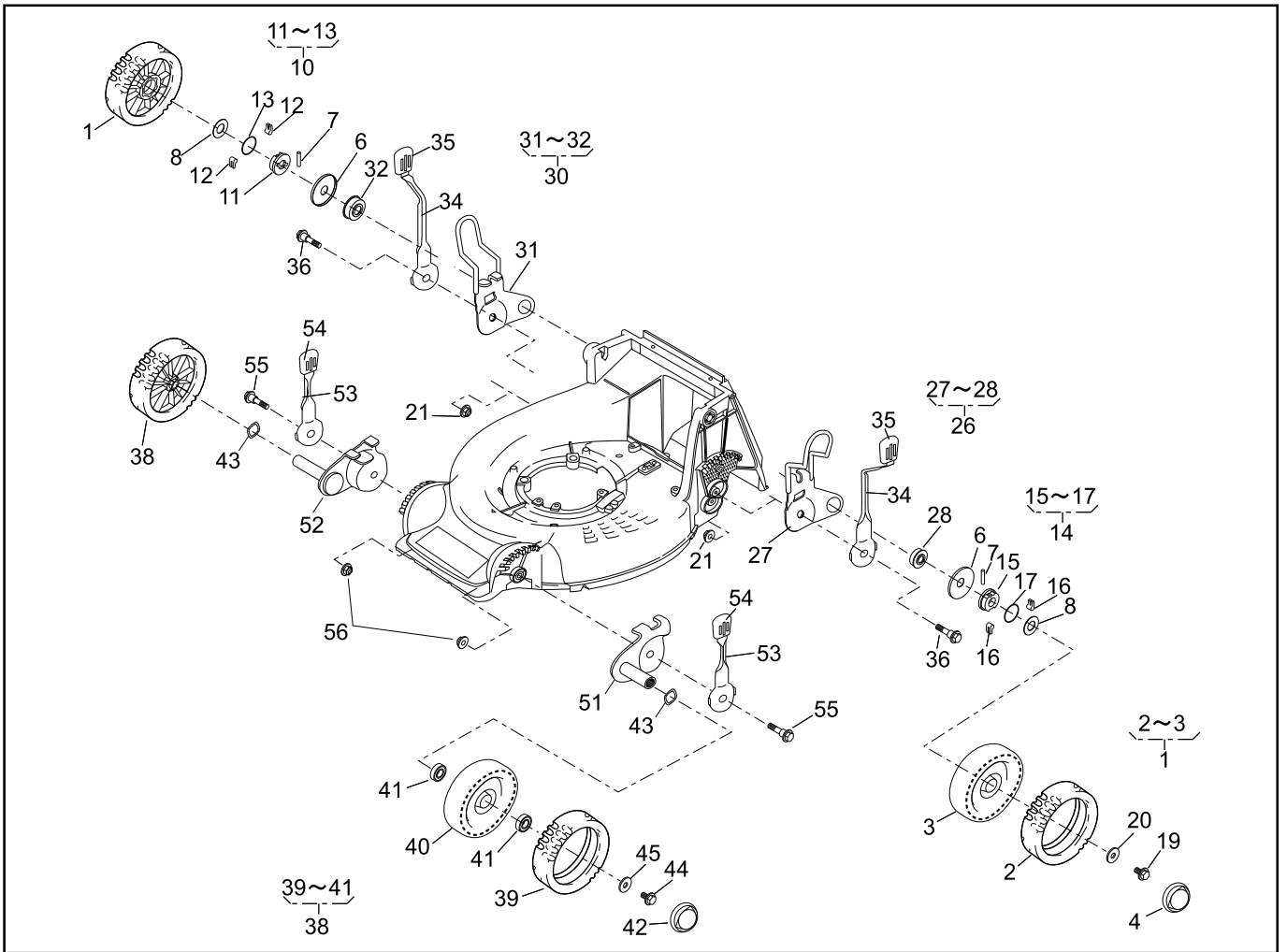
REF. No.	PARTS No.	PARTS NAME	GEAR CASE			1/2	RECOMM.(%) Lot.100	REMARKS
			Q'TY	PRICE()				
			INCLUDING					
1	71008 326	GEAR CASE ASSY	1			-		
2	51001 195	GEAR CASE	1			3		
3	51001 196	GEAR CASE	1			3		
4	61002 161	OIL SEAL	1			5	SD 10 20 5	
5	61002 162	OIL SEAL	2			5	SD 8 14 4	
6	61002 163	OIL SEAL	2			5	SD 15 24 5	
7	64024 104	THIFTER SHAFT	1			3		
8	11104 119	ARM	1			3		
9	320L 0525	HEXAGON BOLT(PW)	1			3	M5 × 25	
10	611L 0500	PLAIN WASHER	1			3	M5	
11	571L 0500	FLANGE NUT	1			3	M5	
12	61003 109	THRUST PLATE	1			5		
13	78003 130	PINION	1			3		
14	91097 101	UNIVERSAL JOINT	1			3		
15	812V 2000	C-SNAP RING FOR SHAFT		1		1	φ 20	
16	717B 0418	PARALLEL PIN		1		3	φ 4 × 18	
17	11097 106	SHIFTER FORK	1			3		
18	11104 137	ARM	1			3		
19	311M 0630	(+)HEXAGON BOLT	1			3	M6 × 30	
20	611L 0600	PLAIN WASHER	1			3	M6	
21	613L 0600	PLAIN WASHER	1			3	M6	
22	571L 0600	FLANGE NUT	1			3	M6	
23	61024 117	SPACER	1			5		
24	78001 162	BEVEL GEAR	1			3		
25	11129 107	CLUTCH	1			3		
26	64014 236	SHAFT	1			3		
27	68013 262	SPRING	1			3		



PARTS LIST

46014-369-00

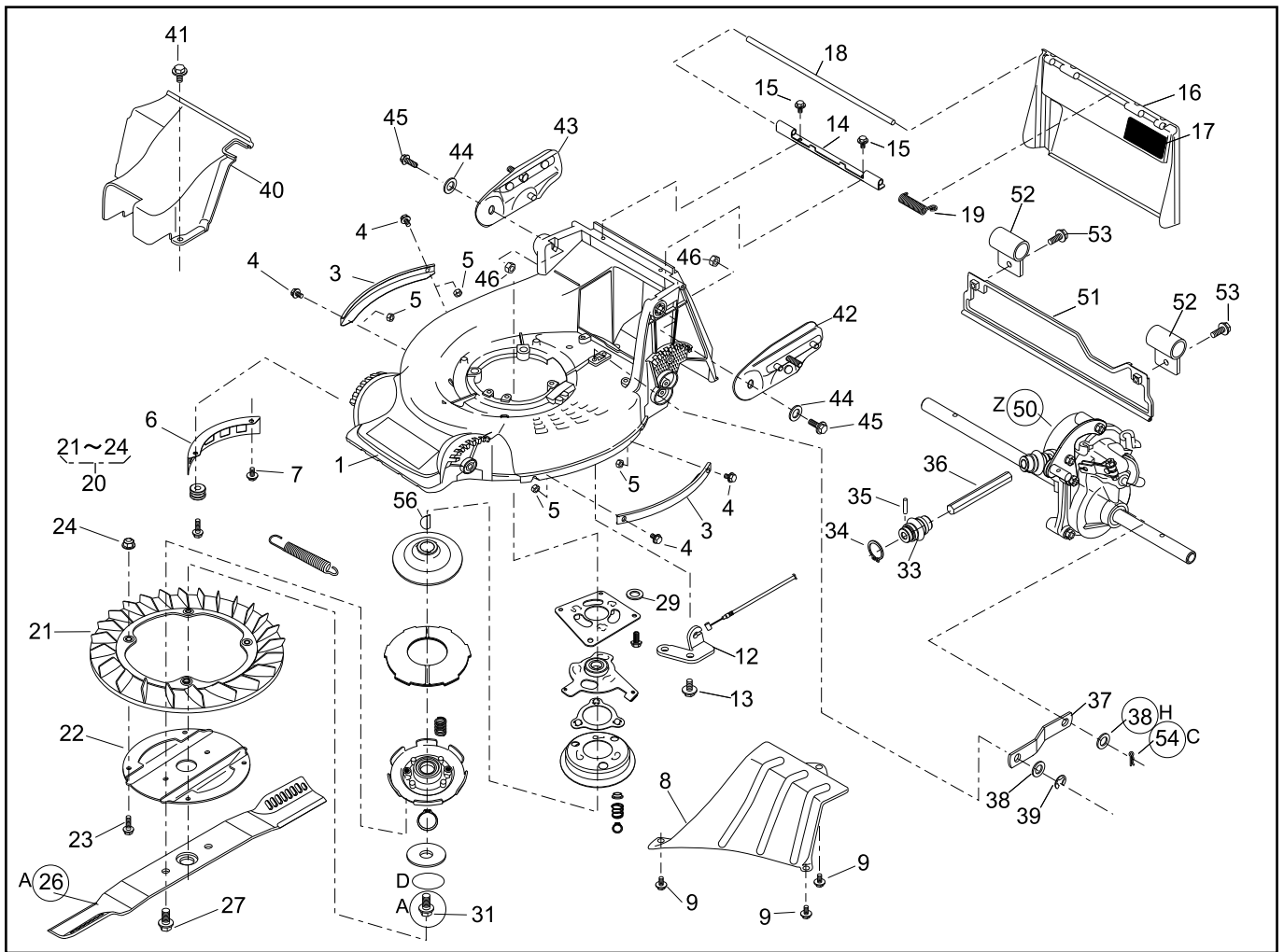
REF. No.	PARTS No.		PARTS NAME	WHEEL			1/2	RECOMM.(%) Lot.100	14. Apr. 2006	REMARKS
				Q'TY	PRICE()					
				INCLUDING						
1	71041	112	WHEEL ASSY(R)	2						
2	91086	106	TIRE	2						
3	36107	101	WHEEL	2						
4	36070	110	CAP	2						
5										
6	61003	112	THRUST PLATE	2						
7	31034	137	PIN	2						
8	68036	146	WASHER	2						
9										
10	71158	101	RATCHET ASSY(RR)	1						
11	11102	138	HOLDER	1						
12	31034	170	PIN	2						
13	68013	266	SPRING	1						
14	71158	102	RATCHET ASSY(RL)	1						
15	11102	138	HOLDER	1						
16	31034	170	PIN	2						
17	68013	266	SPRING	1						
18										
19	31057	181	HEXAGON BOLT	2						
20	68036	101	WASHER	2						
21	569L	0800	FLANGE NYLON NUT	2						
22										
23										
24										
25										
26	71122	101	ADJUSTER ASSY(RL)	1						
27	11142	104	ADJUSTER	1						
28	945L	0349	BEARING	1						



PARTS LIST

46014-369-00

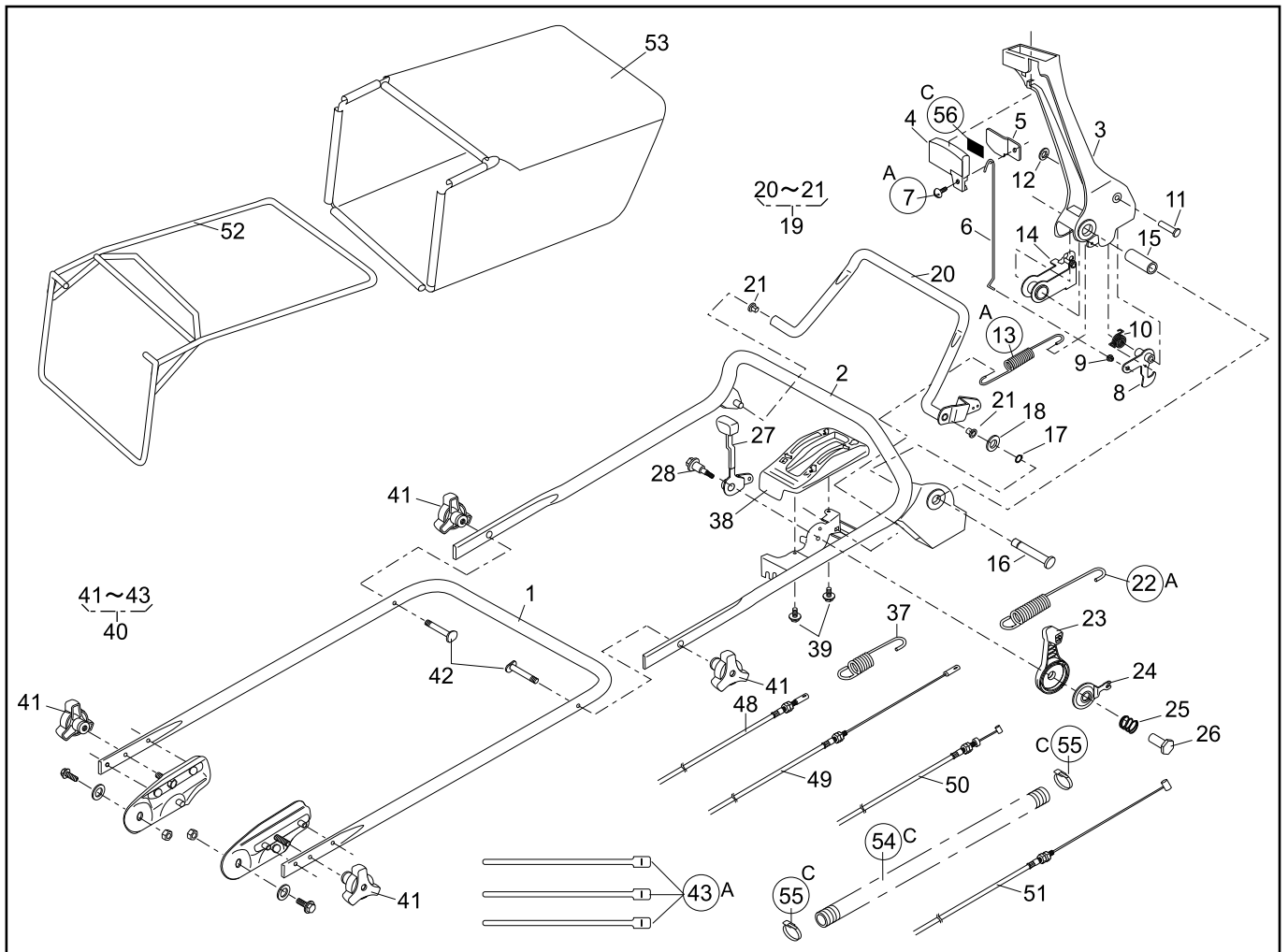
REF. No.	PARTS No.		PARTS NAME	WHEEL			1/2	RECOMM.(%) Lot.100	14. Apr. 2006	REMARKS
				Q'TY	PRICE()					
				INCLUDING						
1	71041	112	WHEEL ASSY(R)	2						
2	91086	106	TIRE	2						
3	36107	101	WHEEL	2						
4	36070	110	CAP	2						
5										
6	61003	112	THRUST PLATE	2						
7	31034	137	PIN	2						
8	68036	146	WASHER	2						
9										
10	71158	101	RATCHET ASSY(RR)	1						
11	11102	138	HOLDER	1						
12	31034	170	PIN	2						
13	68013	266	SPRING	1						
14	71158	102	RATCHET ASSY(RL)	1						
15	11102	138	HOLDER	1						
16	31034	170	PIN	2						
17	68013	266	SPRING	1						
18										
19	31057	181	HEXAGON BOLT	2						
20	68036	101	WASHER	2						
21	569L	0800	FLANGE NYLON NUT	2						
22										
23										
24										
25										
26	71122	101	ADJUSTER ASSY(RL)	1						
27	11142	104	ADJUSTER	1						
28	945L	0349	BEARING	1						



PARTS LIST

P/L No. 46014-372-02

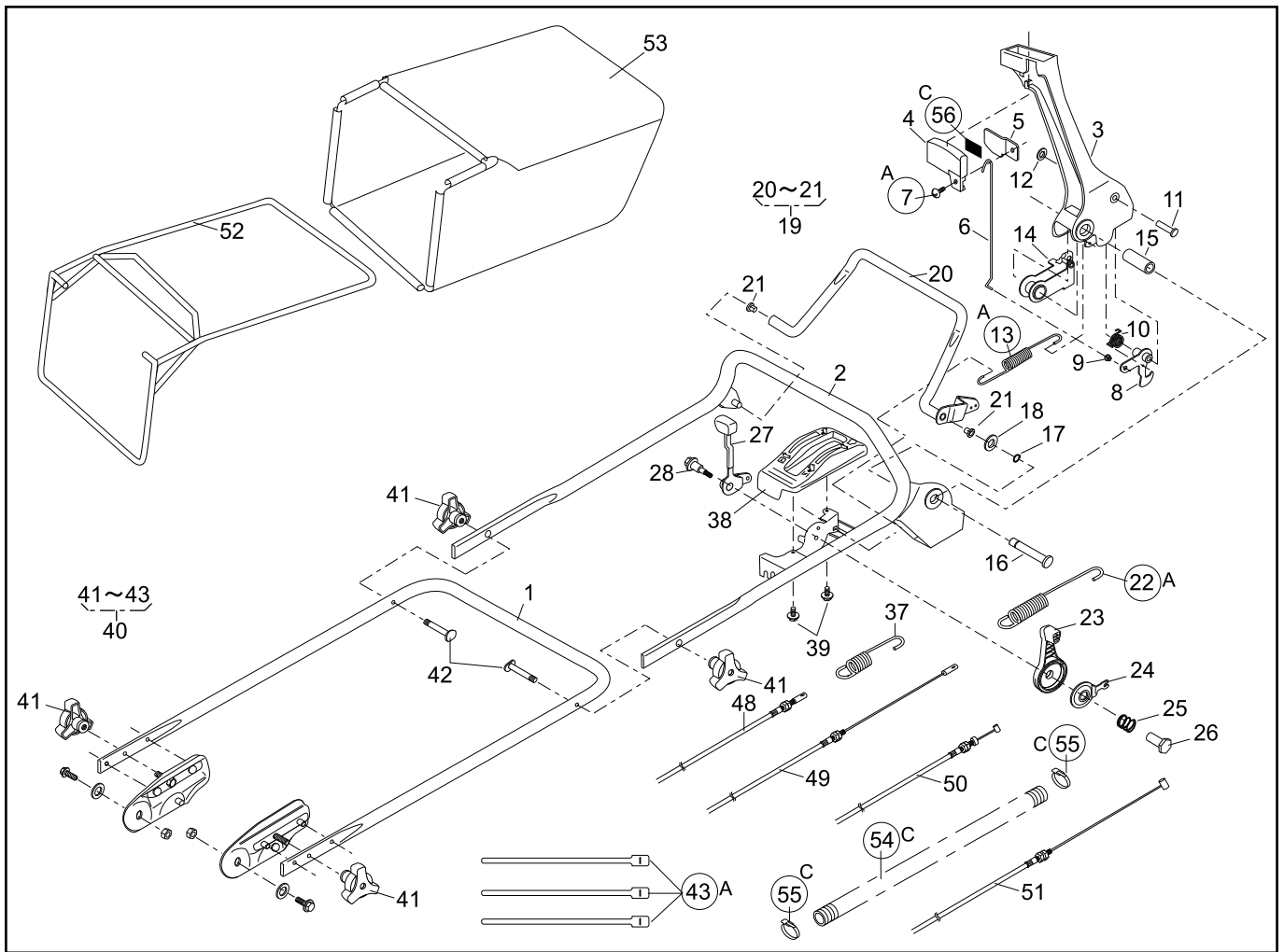
NOTE	REF. No.	PARTS No.		PARTS NAME	GRASS-CUTTING			2/2	Dec. 26. 2006
					Q'TY INCLUDING	PRICE()	RECOMM.(%) Lot.100	REMARKS	
	29	68036	292	WASHER	4				
	30	71067	116	BRAKE ASSY	1				
A	31	31057	272	HEXAGON BOLT	1				
D	32								
	33	91097	101	UNIVERSAL JOINT	1				
	34	812V	2000	C-SNAP RING FOR SHAFT	1				
	35	717B	0418	PARALLEL PIN	1				
	36	64014	372	SHAFT	1				
	37	91049	136	CONNECTOR	1				
H	38	68036	280	WASHER	2				
	39	816V	0800	E-SNAP RING	1				
	40	36065	455	COVER	1				
	41	335L	0616	FLANGE BOLT	1				
	42	51116	145	HANDLE BRACKET(L)	1				
	43	51116	146	HANDLE BRACKET(R)	1				
	44	68036	101	WASHER	2				
	45	312M	0830	BOLT	2				
	46	512L	0800	HEXAGON NUT	2				
	47								
	48								
	49								
Z	50	71008	326	GEAR CASE ASSY	1				
	51	36046	122	SAFETY GUARD	1				
	52	11012	126	HANGER BAND	2				
	53	335L	0616	FLANGE BOLT	2				
C	54	733L	1000	SNAP PIN	1				
	55	122048		ENGINE:KAWASAKI FJ151V-AC50	1				
	56	96007	183	KEY	1				



PARTS LIST

P/L No. 46014-377-02

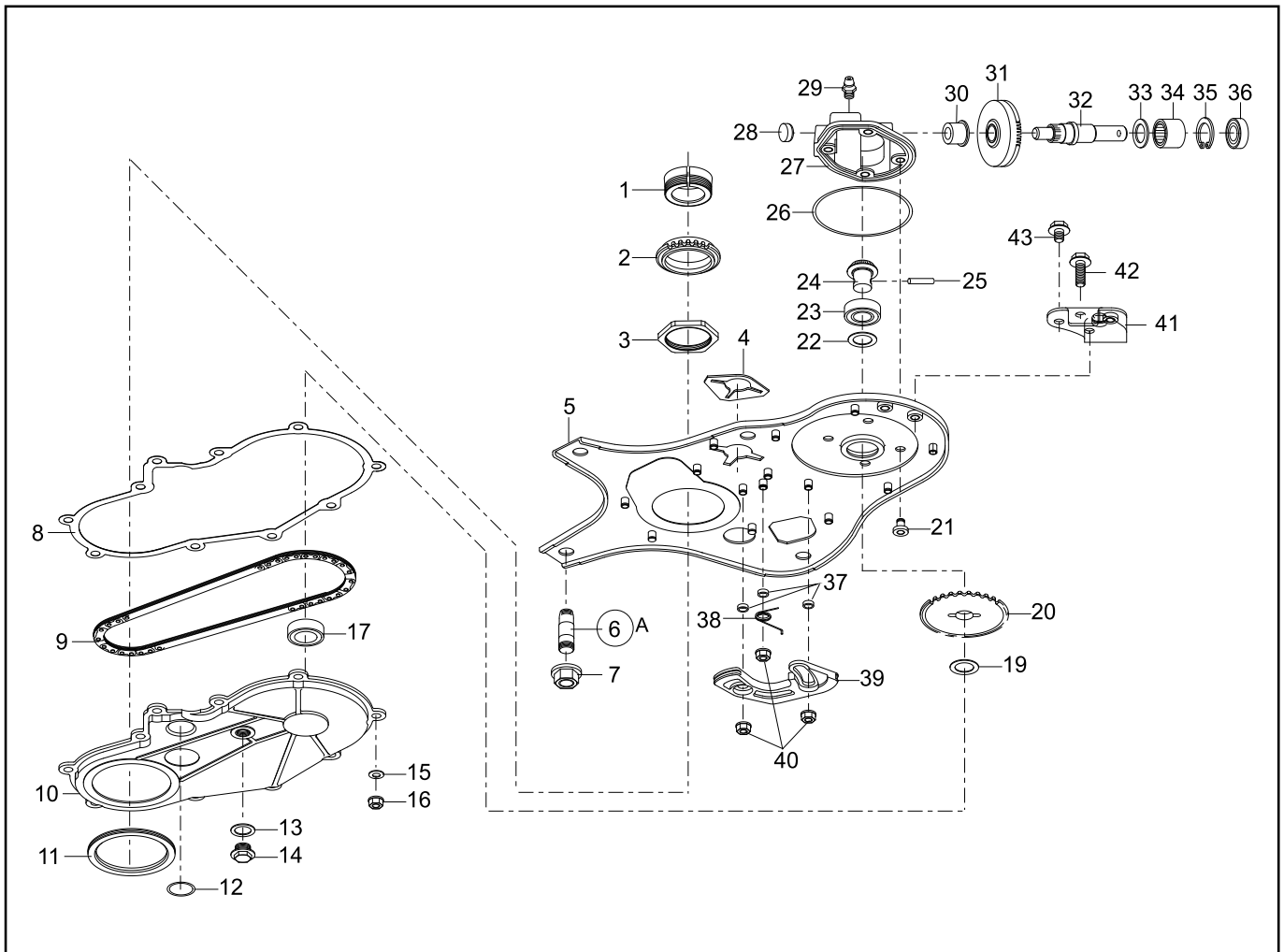
NOTE	REF. No.	PARTS No.		PARTS NAME	HANDLE			1/2	RECOMM.(%) Lot.100	REMARKS	Dec. 26, 2006
					Q'TY	PRICE()	PRICE()				
								INCLUDING			
	1	51027	146	HANDLE	1						
	2	51027	255	HANDLE	1						
	3	11095	172	LEVER(BBC)	1						
	4	36110	102	BUTTON	1						
	5	11049	109	SLIDE PLATE	1						
	6	64014	336	SHAFT	1						
A	7	376L	0612	(+)TAPPING SCREW	1						
	8	71203	135	ARM C.P.	1						
	9	76007	183	BUSH	1						
	10	68013	371	SPRING	1						
	11	31056	127	GIB-HEADED PIN	1						
	12	576V	0600	PUSH NUT	1						
A	13	68013	392	SPRING	1						
	14	11109	111	LINK	1						
	15	61023	190	SLEEVE	1						
	16	64014	337	SHAFT	1						
	17	812V	0800	C-SNAP RING FOR SHAFT	1						
	18	613L	0800	WASHER	1						
	19	71161	114 09	LEVER ASSY	1						
	20			LEVER	1						
	21	76007	131	BUSH	2						
A	22	68013	391	SPRING	1						
	23	91010	194	THROTTLE LEVER(FJ151V)	1						
	24	61003	113	THRUST PLATE	1						
	25	68013	356	SPRING	1						
	26	31058	168	NUT	1						
	27	11095	117	LEVER	1						
	28	31062	109	PRE-COAT LOCK BOLT	1						



PARTS LIST

P/L No. 46014-377-02

NOTE	REF. No.	PARTS No.	PARTS NAME	HANDLE		RECOMM.(%) Lot.100	REMARKS
				Q'TY INCLUDING	PRICE()		
	29						
	30						
	31						
	32						
	33						
	34						
	35						
	36						
	37	68013 161	SPRING	1			
	38	71900 796	COVER ASSY	1			
	39	470L 0514	(+)TAPPING SCREW	2			
	40	71052 119	BOLT SET	1			
	41	36061 118	KNOB	4			
	42	31057 134	BOLT	2			
A	43	68028 118	WIRE BAND	3			
	44						
	45						
	46						
	47						
	48	91003 125	CONTROL CABLE	1			
	49	91003 170	CONTROL CABLE	1			
	50	91001 337	THROTTLE WIRE(FJ151V)	1			
	51	91003 177	CONTROL CABLE(BBC)	1			
	52	11062 174	FRAME C.P.	1			
	53	36098 133	GRASS BAG C.P.(KAAZ)	1			
C	54	41003 201	TUBE (15.6x800L)	1			
C	55	68028 119	WIRE BAND	2			
C	56	36080 156	RUBBER SHEET	1			



PARTS LIST

P/L No. 46014-388-01

NOTE	REF. No.	PARTS No.	PARTS NAME	Drive Shaft Unit			PRICE()	RECOMM.(%) Lot.100	Dec. 26. 2006	REMARKS
				Q'TY						
				INCLUDING						
	1	51113 120	RING	1						
	2	36112 146	SPROCKET	1						
	3	31058 173	HEXAGON NUT	1						
	4	61019 232	PACKING	1						
	5	11137 132	BASE C.P.	1						
A	6	31039 141	STUD	4						
	7	579L 1000	FLANGE NUT	4						
	8	61019 233	PACKING	1						
	9	91074 136	CHAIN	1						
	10	51141 102	CHAIN CASE	1						
	11	76007 196	BUSH	1						
	12	214B 1600	O-RING	1						
	13	68001 110	FIBER WASHER	1						
	14	31057 262	HEXAGON BOLT	1						
	15	68062 112	CONED DISC SPRING	11						
	16	579L 0500	FLANGE NUT	11						
	17	913B 6901	BEARING	1						
	18									
	19	68036 291	WASHER	1						
	20	36112 145	SPROCKET	1						
	21	31062 177	PRE-COAT LOCK BOLT	4						
	22	68036 291	WASHER	1						
	23	916B 6901	BEARING	1						
	24	78002 207	BEVEL PINION	1						
	25	31034 192	PIN	1						
	26	214B 6300	O-RING	1						
	27	51001 301	GEAR CASE	1						
	28	91033 140	BLIND COVER	1						

