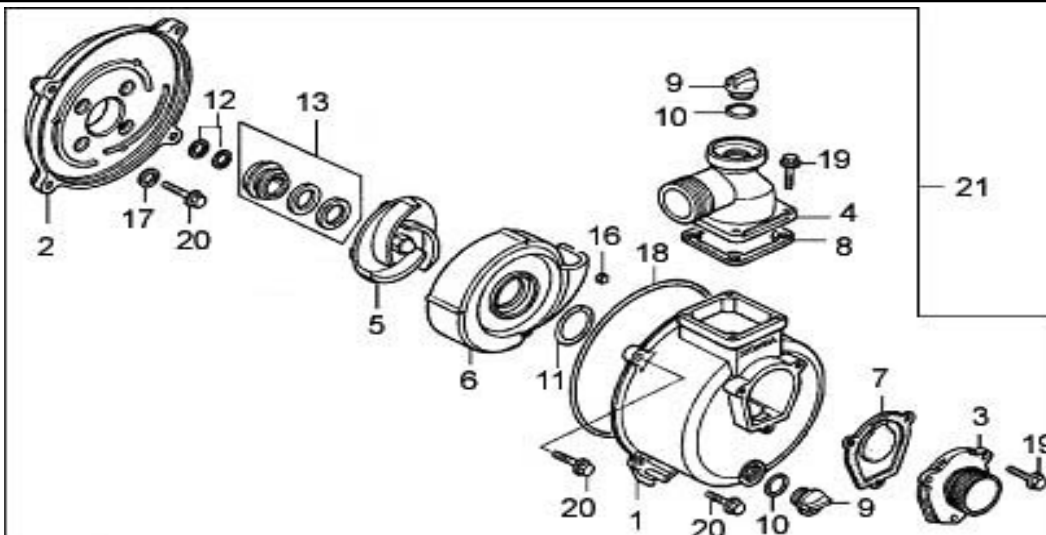


## 14- Self Priming Pump 3"



| Nr. | Parts code   | Description          | 中文描述       | Quantity |
|-----|--------------|----------------------|------------|----------|
|     |              |                      |            | SCWP-30G |
| 1   | SCPS030SK010 | Housing of the pump  | 泵体         | 1        |
| 2   | SCPS030SK011 | Pump cover           | 泵盖         | 1        |
| 3   | SCPS030SK012 | Inlet pipe           | 进水法兰       | 1        |
| 4   | SCPS030SK013 | Outlet pipe          | 出水法兰       | 1        |
| 5   | SCPS030SK014 | Water pump impeller  | 叶轮         | 1        |
| 6   | SCPS030SK015 | Volute casing        | 涡壳         | 1        |
| 7   | SCPS030SK016 | Check valve          | 单向阀(拍门)    | 1        |
| 8   | SCPS030SK017 | Seal output          | 出水口密封垫方垫   | 1        |
| 9   | SCPS020SK018 | Plug                 | 螺塞         | 2        |
| 10  | SCPS020SK021 | O-ring 30/38         | 螺塞密封圈      | 2        |
| 11  | SCPS030SK022 | O-ring 54/85         | O形圈        | 1        |
| 12  | SCPS030SK024 | Sealing Washer       | 铜垫圈        | 5        |
| 13  | SCPS020SK019 | Machinery seal       | 机械密封       | 1        |
| 17  | 0W-M8        | Washer M8            | 密封垫片       | 4        |
| 18  | SCPS030SK020 | O-ring 196/226       | 泵体密封圈      | 1        |
| 19  | BF-M10x25    | Bolt Flange M10×25mm | 螺栓, M10×25 | 4        |
| 20  | BF-M8x60     | Bolt Flange M8×60mm  | 螺栓, M8×60  | 4        |
| 21  | SCPS030SK100 | Pump comp.           | 泵头总成       | 1        |