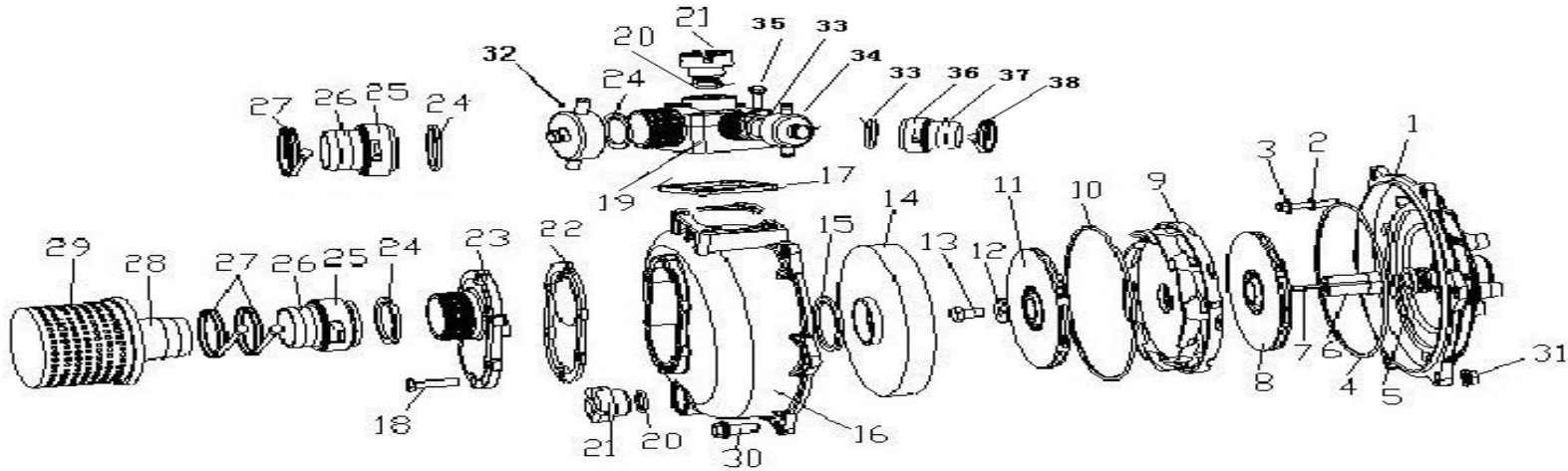


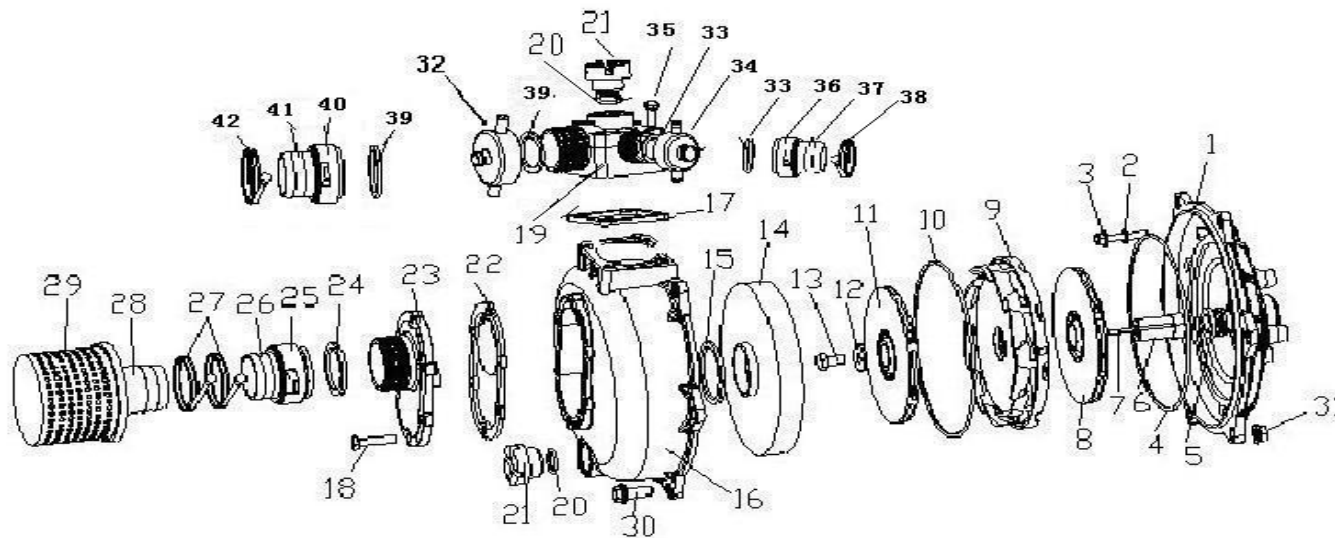
14. High Pressure Pump with twin impeller, 2"/ 2"+2x1.5"



Nr.	SC Part Nr.	Description	中文描述	Quantity
				SCWP-20GHT
1	SCPH020CT011	Pump cover	水泵边盖	1
2		Aluminum flat washer	铝平垫圈	4
3		Bolt, M8x65 (GB5787)	螺栓, M8x65 (GB5787)	4
4	SCPH020CT020	Seal ring, pump	泵体密封圈	1
5	SCPH020CT019	Mechanical seal (Ceramic)	机械密封(陶瓷)	1
6	SCPH020CT050	Connecting shaft	联接轴	1
7	SCPH020CT051	Key	平键	1
8	SCPH020CT014-1	Impeller-1	叶轮1	1
9	SCPH020CT015-1	Volute casing-1	涡壳1	1
10	SCPH020CT022-1	Seal ring-1, volute casing	涡壳密封圈1	1
11	SCPH020CT014-2	Impeller-2	叶轮2	1
12	SCPH020CT053	Iron flat washer	铁平垫圈	1
13		Bolt, M10x20 (GB5787)	螺栓, M10x20 (GB5787)	1
14	SCPH020CT015-2	Volute casing - 2	涡壳2	1
15	SCPH020CT022-2	Seal ring - 2, volute casing	涡壳密封圈2	1
16	SCPH020CT010	Water pump body	水泵泵体	1
17	SCPH020CT017	Outlet gasket	出水法兰密封方垫	1
18		Bolt, M8x25	螺栓, M8x25	6

19	SCPH020CT013	Outlet flange, 2"	出水法兰, 2"	1
20	SCPH020CT021	Seal ring, plug	水塞密封圈	2
21	SCPH020CT018	Plug	水塞	2
22	SCPH020CT016	Check valve	拍门	1
23	SCPH020CT012	Inlet flange, 2"	进水法兰, 2"	1
24	SCPH020CT113	Sealing gasket, linker, 2"	接头垫圈, 2"	3
25	SCPH020CT111	Tie in (Aluminum), 2"	手柄(铝), 2"	2
26	SCPH020CT112	Linker, tube, (Aluminum), 2"	管接头(铝), 2"	2
27	SCPH020CT110	Clamp, 2"	卡箍, 2"	3
28	SCPH020CT114	Cover, filter	网盖(过滤口)	1
29	SCPH020CT115	Filter	滤网	1
30		Bolt, M10x30, GB5787	螺栓, M10x30, GB5787	6
31		Nut, M10, GB6177	螺母, M10, GB6177	6
32	SCPH020CT102	Cap, 2"	2"螺盖	2
33	SCPH015CT113	Sealing gasket, 1.5"	接头垫圈, 1.5"	4
34	SCPH015CT102	Cap, 1.5"	1.5"螺盖	2
35		Bolt, M8x70, GB5787	螺栓, M8x70, GB5787	4
36	SCPH015CT111	Tie in (Aluminum), 1.5"	手柄(铝), 1.5"	2
37	SCPH015CT112	Linker, tube, (Aluminum), 1.5"	管接头(铝), 1.5"	2
38	SCPH015CT110	Clamp, 1.5"	卡箍, 1.5"	2

14. High Pressure Pump with twin impeller, 2"/ 1.5"+2x1"



Nr.	SC Part Nr.	Description	中文描述	Quantity
				SCWP-20GHT
1	SCPH020CT011	Pump cover	水泵边盖	1
2		Aluminum flat washer	铝平垫圈	4
3		Bolt, M8x65 (GB5787)	螺栓, M8x65 (GB5787)	4
4	SCPH020CT020	Seal ring, pump	泵体密封圈	1
5	SCPH020CT019	Mechanical seal (Ceramic)	机械密封(陶瓷)	1
6	SCPH020CT050	Connecting shaft	联接轴	1
7	SCPH020CT051	Key	平键	1
8	SCPH020CT014-1	Impeller-1	叶轮1	1
9	SCPH020CT015-1	Volute casing-1	蜗壳1	1
10	SCPH020CT022-1	Seal ring-1, volute casing	蜗壳密封圈1	1

11	SCPH020CT014-2	Impeller-2	叶轮2	1
12	SCPH020CT053	Iron flat washer	铁平垫圈	1
13		Bolt, M10x20 (GB5787)	螺栓, M10x20 (GB5787)	1
14	SCPH020CT015-2	Volute casing - 2	涡壳2	1
15	SCPH020CT022-2	Seal ring - 2, volute casing	涡壳密封圈2	1
16	SCPH020CT010	Water pump body	水泵泵体	1
17	SCPH020CT017	Outlet gasket	出水法兰密封方垫	1
18		Bolt, M8x25	螺栓, M8x25	6
19	SCPH015CT013	Outlet flange, 1.5"	出水法兰, 1.5"	1
20	SCPH020CT021	Seal ring, plug	水塞密封圈	2
21	SCPH020CT018	Plug	水塞	2
22	SCPH020CT016	Check valve	拍门	1
23	SCPH020CT012	Inlet flange, 2"	进水法兰, 2"	1
24	SCPH020CT113	Sealing gasket, linker, 2"	接头垫圈, 2"	1
25	SCPH020CT111	Tie in (Aluminum), 2"	手柄(铝), 2"	1
26	SCPH020CT112	Linker, tube, (Aluminum), 2"	管接头(铝), 2"	1
	SCPH020CT112Z	Adaptor, (Aluminum), from 2" to 1.5"	转换接头(铝), 2"到1.5"	1
27	SCPH020CT110	Clamp, 2'	卡箍, 2"	2
28	SCPH020CT114	Cover, filter	网盖(过滤口)	1
29	SCPH020CT115	Filter	滤网	1
30		Bolt, M10x30, GB5787	螺栓, M10x30, GB5787	6
31		Nut, M10, GB6177	螺母, M10, GB6177	6
32	SCPH015CT102	Cap, 1.5"	1.5"螺盖	2
33	SCPH010CT113	Seal ring. Cap, 1.5"	接头垫圈, 1"	4
34	SCPH010CT102	Cap, 1"	1"螺盖	2
35		Bolt, M10x70, GB5787	螺栓, M8x70, GB5787	4
36	SCPH010CT111	Tie in (Plastic), 1"	手柄(塑料), 1"	2
37	SCPH010CT112	Linker, tube (Pipe joint), (Plastic), 1"	管接头(塑料), 1"	2
38	SCPH010CT110	Clamp, 1'	卡箍, 1"	2
39	SCPH015CT113	Sealing gasket, 1.5"	接头垫圈, 1.5"	2
40	SCPH015CT111	Tie in (Aluminum), 1.5"	手柄(铝), 1.5"	1
41	SCPH015CT112	Linker, tube (Pipe joint), (Aluminum), 1.5"	管接头(铝), 1.5"	1
42	SCPH015CT110	Clamp, 1.5'	卡箍, 1.5"	1