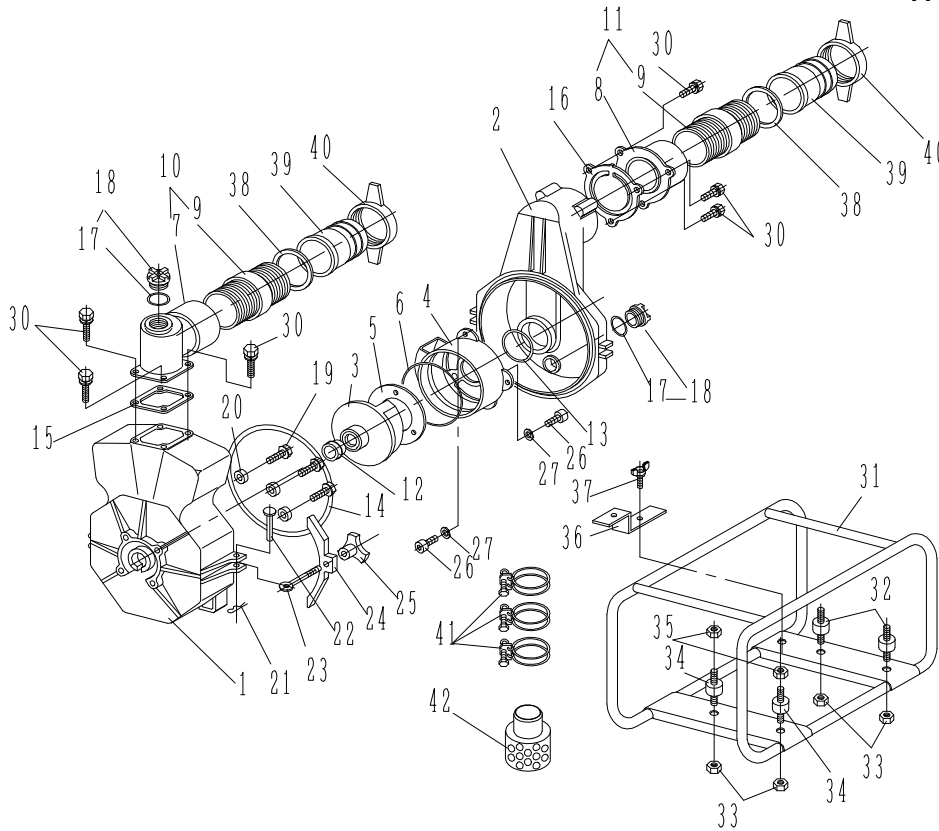
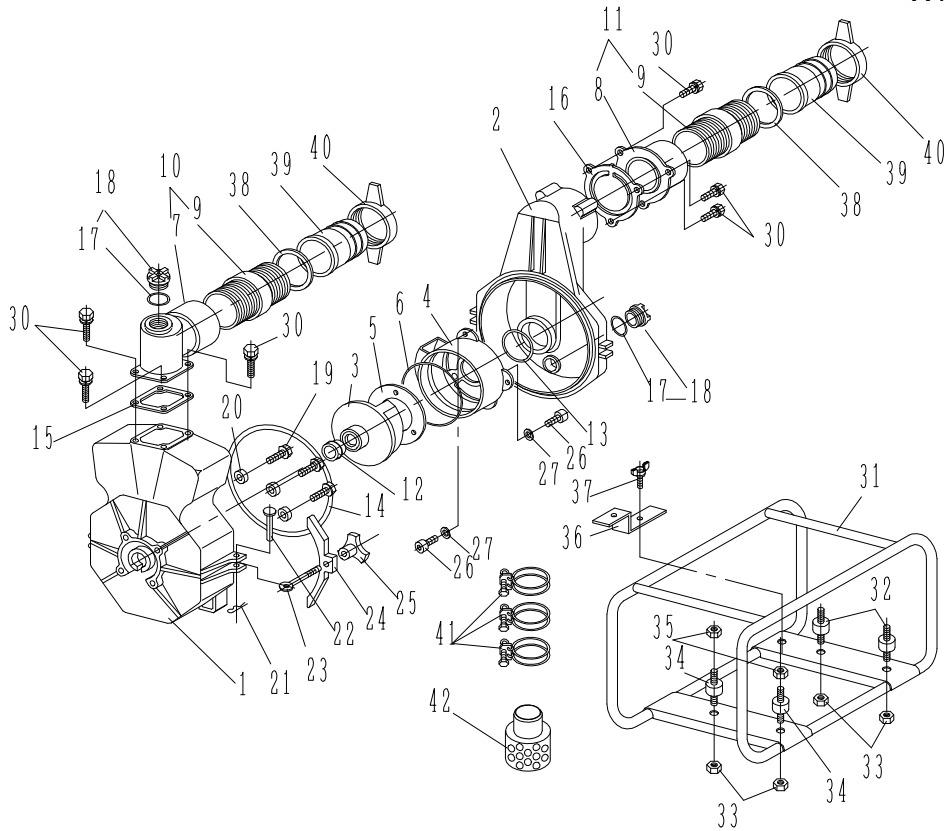


WP-200HT



REF No.	Parts No.	Parts name	Q'ty	Remarks
	<b>ENGINE</b>	<b>HONDA GX160</b>	<b>1</b>	
1	200 200 320	CASING	1	SWT-50
2	200 200 330	CASING COVER	1	SWT-50
3	200 210 240	IMPELLER	1	
4	200 210 070	INNER CASING	1	
5	200 300 210	LINER	1	SWT-50
6	200 800 140	O-RING	1	S-140
7	200 200 610	BEND (NPSM)	1	IN-LOW-NPSM2
8	200 200 540	VALVE CASE (NPSM)	1	IN-NPSM2
9	200 300 410	FITTING PIPE	2	2B NPT-PF
10	202 200 120	BEND ASSY	(1)	PF2
11	202 200 090	VALVE CASE ASSY	(1)	PF2
12	201 100 051	MECHANICAL SEAL	1	2.3SIC
13	200 800 100	O-RING	1	G-55
14	200 800 050	O-RING	1	G-210
15	200 900 170	PACKING,BEND	1	
16	200 900 280	CHECK VALVE	1	
17	200 800 020	O-RING	2	P-24
18	200 500 040	PLUG ASSY	2	
19	203 000 460	FLANGE BOLT	4	M8x46
20	203 100 180	AL WASHER	4	8.2-17-3.0
21	203 300 030	SNAP PIN	2	φ 10
22	203 300 010	RIVET	2	φ 10
23	203 000 490	COVER BOLT	2	M12
24	200 210 430	CASING COVER HOLDER	2	
25	200 210 450	KNOB	2	M12
26	203 000 350	HEX.SOCKET HEAD BOLT	5	M6x16SUS
27	203 100 110	SPRING WASHER	5	M6SUS

WP-200HT



REF No.	Parts No.	Parts name	Q'ty	Remarks
28	-	-	-	
29	-	-	-	
30	203 000 040	HEX.BOLT	7	M8x25 P=2
31	200 101 131	FRAME(BRACK)	1	
	201 101 132	FRAME(WHITE)	(1)	
32	200 900 380	ANTI VIBRATION RUBBER(P)	2	
33	200 900 410	ANTI VIBRATION RUBBER(E/G)	2	
34	203 200 030	SPRING NUT	6	M8
35	203 200 010	FRANGE NUT	2	M8
36	200 300 240	MULTI-PURPOSE TOOL	1	
37	203 000 510	WING BOLT	1	M6x15
38	200 900 050	PACKING,COUPLING	2	
39	200 500 090	HOSE COUPLING	2	ABS
39	200 200 690	HOSE COUPLING	(2)	AL
40	200 200 670	COUPLING HANDLE	2	PF2
41	201 000 040	HOSE BAND	3	2"
42A	201 200 120	STRAINER	1	2"ER
42B	201 200 130	STRAINER	(1)	2"DR