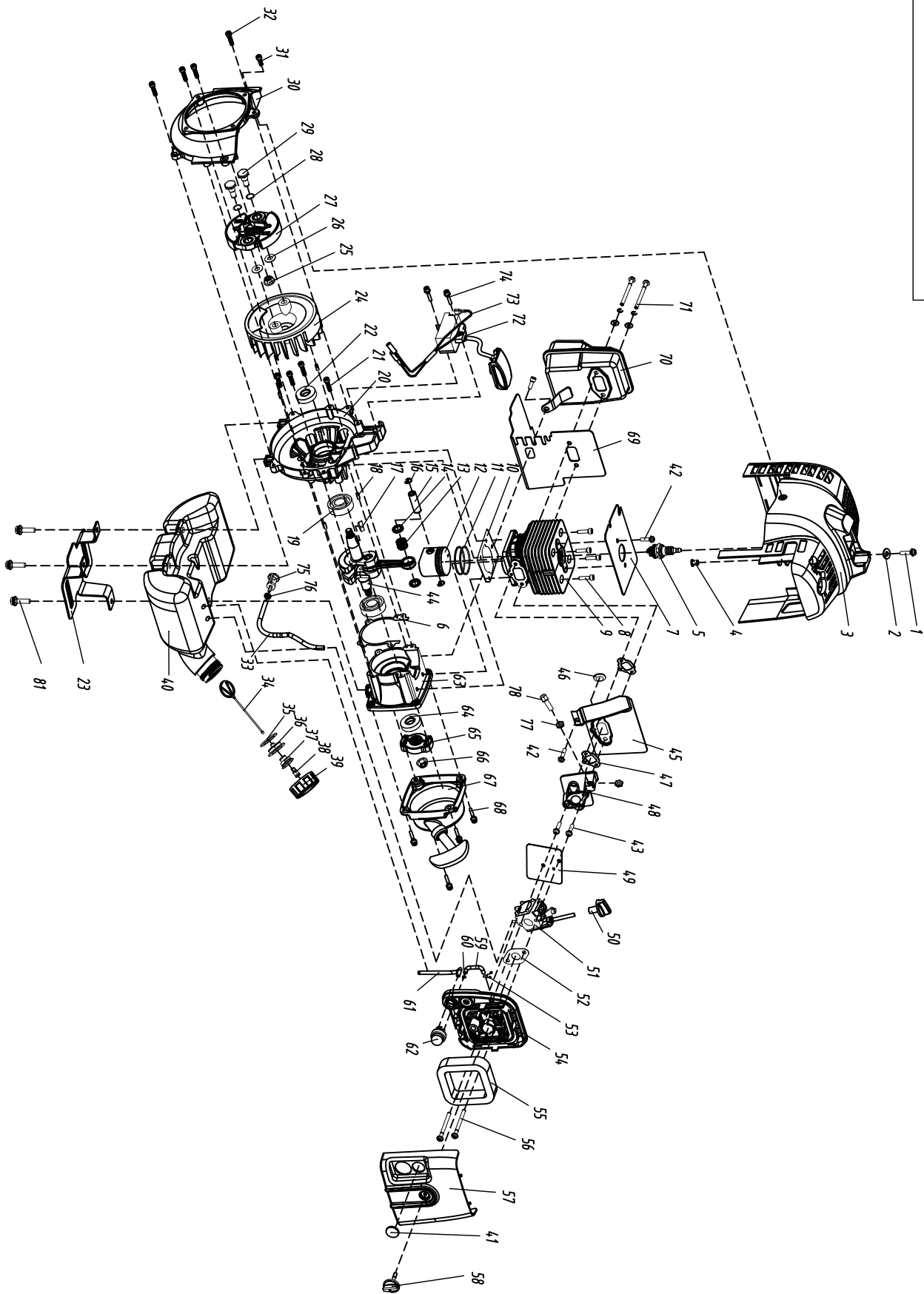


1E40FN 分解图
1E40FN GASOLINE ENGINE EXPLODED VIEW



1E40FN / motore Kendo C4301

| rif | Codice Art. | Descrizione | q.tà | rif. | Codice Art. | Descrizione | q.tà |
|-----|-------------|-----------------------------------------------------|------|------|-------------|----------------------------------------------|------|
| 1 | CG5614 | Bullone M5x20 Bolt assy M5X20 | 1 | 29 | CG0737 | bullone frizione Clutch bolt | 2 |
| 2 | CG5582 | Rondella 5 Washer 5 | 1 | 30 | CG1968 | copecchio volano Flywheel cover | 1 |
| 3 | CG2607 | coperchio cilindro Housing | 1 | 31 | CG5541 | bullone M5X8 Bolt assy M5X8 | 1 |
| 4 | | distanziale, coperchio cili Space,housing | 1 | 32 | CG1173 | bullone M5X20 Bolt M5X20 | 4 |
| 5 | CG3480 | candela RCJ6Y Spark plug RCJ6Y | 1 | 33 | | tubetto 200mm Pipe | 1 |
| 6 | CG6808 | guarnizione, semicarter Gasket,crankcase | 1 | 34 | CG1273 | fascetta ancoraggio tappo Stopper | 1 |
| 7 | CG2275 | diaframma testata cilindr Baffle of cylinder top | 1 | 35 | CG0064 | guarnizione tappo Gasket,fuel cap | 1 |
| 8 | CG5711 | bullone M5X20 Bolt M5X20 | 4 | 36 | CG8579 | sottotappo Holder,stopper | 1 |
| 9 | CG1667 | cilindro Cylinder | 1 | 37 | CG8574 | portavalvola tappo Holder,valve | 1 |
| 10 | CG2268 | guarnizione, cilindro Gasket,cylinder | 1 | 38 | CG8817 | valvola tappo Valve,fuel cap | 1 |
| 11 | CG4714 | fasce elastiche Ring,piston | 2 | 39 | CG6268 | tappo serbatoio Cap,fuel tank | 1 |
| 12 | CG3293 | pistone Piston | 1 | 40 | CG4214 | serbatoio Fuel tank | 1 |
| 13 | CG1685 | cuscinetto a rulli Needle bearing | 1 | 41 | CG5903 | tappo in gomma Block,stop switch | 1 |
| 14 | CG4690 | Rondella Washer,thrust | 2 | 42 | CG2323 | bullone M5X12 Bolt assy M5X12 | 3 |
| 15 | CG1359 | spinotto, pistone 10X 30.5 Pin,piston 10 X 30.5 | 1 | 43 | CG4335 | bullone M5X25 Bolt assy M5X25 | 2 |
| 16 | CG1362 | clip Ring, snap | 2 | 44 | CG1644 | albero motore Crank shaft assy | 1 |
| 17 | CG4563 | linguetta 3X5X13 Woodruff key3X5X13 | 1 | 45 | CG7152 | protezione, collettore Plate, insulator | 1 |
| 18 | CG4569 | spina B4x10 PIN B4X10 | 4 | 46 | CG8699 | gommino, cavo Rubber plug,lead wire | |
| 19 | CG3467 | cuscinetto 6202/P53 Bearing 6202/P53 | 2 | 47 | CG7890 | guarnizione, collettore Gasket,insulator | 2 |
| 20 | CB2591 | semicarter lato volano Front crankcase | 1 | 48 | CG2597 | collettore Insulator | 1 |
| 21 | CG4282 | bullone M5X35 Bolt M5X35 | 4 | 49 | CG2281 | guarnizione carburatore Gasket,carburetor | 1 |
| 22 | CG0641 | paraolio 15X30X7 Oil seal 15X30X7 | 1 | 50 | CG2608 | pomello, aria Knob,choke | 1 |
| 23 | CG5885 | staffa, serbatoio Bracket,fuel tank | 1 | 51 | CG3196 | carburatore compl. H142A- Carburetor comp | 1 |
| 24 | CG2247 | volano Rotor | 1 | 52 | CG2998 | guarnizione carburatore Gasket,carburetor | 1 |
| 25 | CG5485 | dado M8X1.25 Nut M8X1.25 | 1 | 53 | CG1141 | clip tubetto Clip , pipe | 1 |
| 26 | CG4546 | rondella Washer | 2 | 54 | CG2598 | supporto filtro aria Base, cleaner | 1 |
| 27 | CG0646 | frizione Clutch assy | 1 | 55 | CG3014 | elemento filtro aria Air filter element | 1 |
| 28 | CG4549 | rondella ondulata | 2 | 56 | CG4402 | bullone M5X60 | 2 |

| | | | | | |
|----|-------------|---|----|-----------------|---|
| 40 | Wave washer | 4 | 30 | Bolt assy M5X60 | 4 |
|----|-------------|---|----|-----------------|---|

