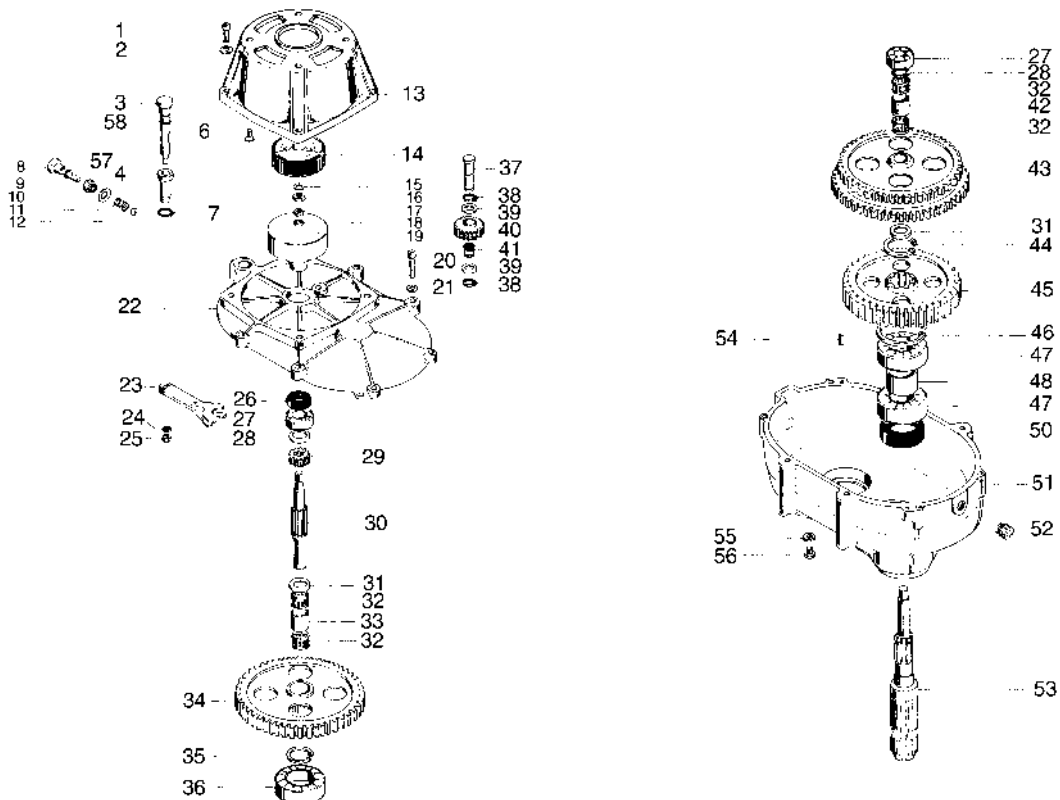
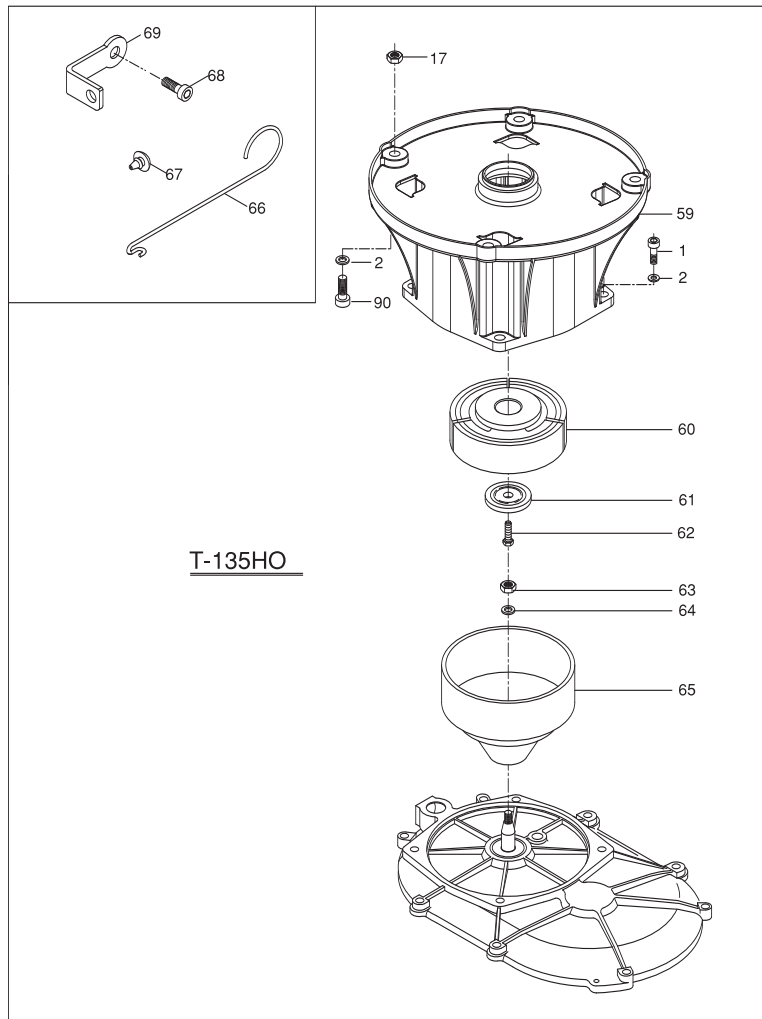
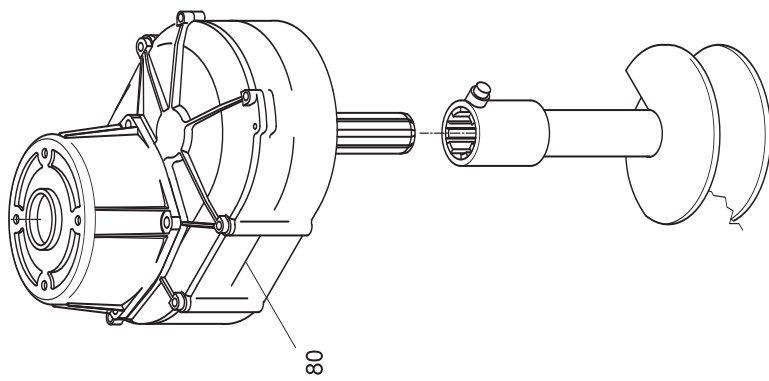
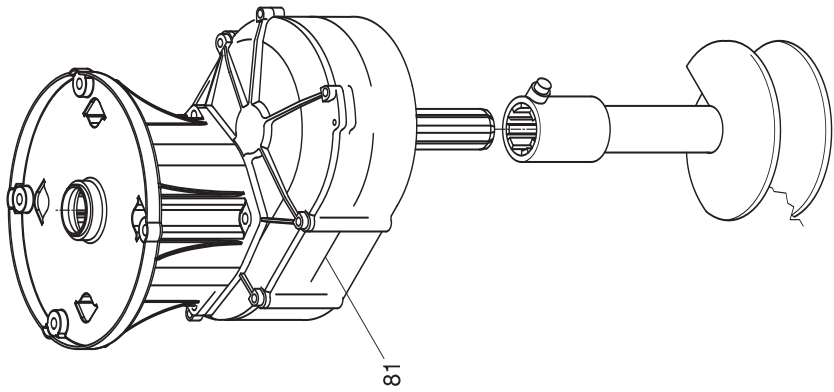
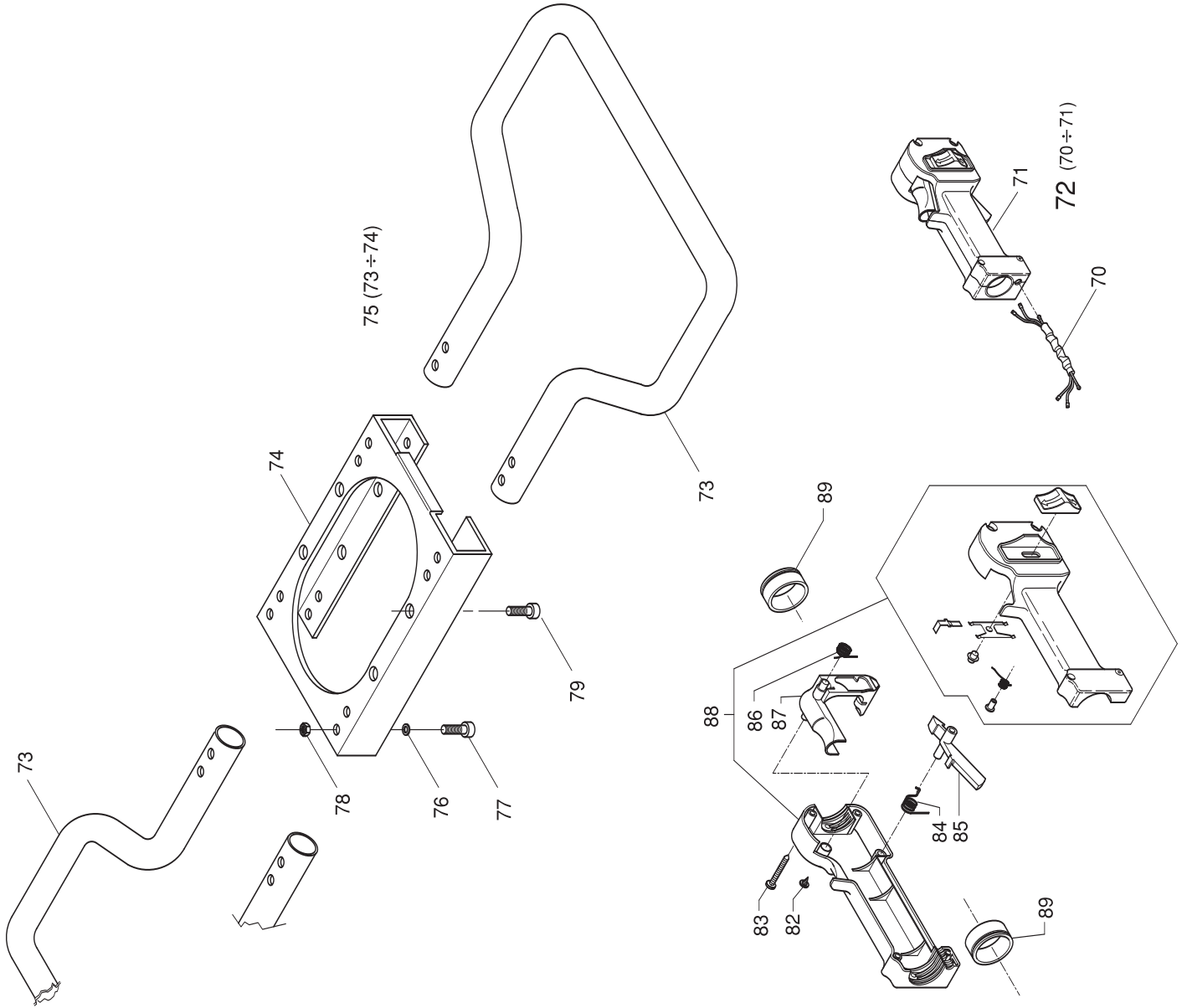


MOD. T-102R, T-135 HO










REF. NO.	PART. NO.	QUANTITY		NOTE
		T-102R	T-135HO	
1	030720	4	4	
2	090850	4	8	
3	390990	1	1	
4	391000	1	1	
6	030730	4		
7	120210	1	1	
8	420270	1	1	
9	091250	1	1	
10	091200	1	1	
11	180270	1	1	
12	120220	1	1	
13	480850	1		
14	750660	1		
15	091230	1		
16	060340	1		
17	060290	1	4	
18	090080	1		
19	510850	1		
20	030010	8	8	
21	090010	8	8	
22	480840	1	1	
23	751280	1	1	
24	090830	1	1	
25	060320	1	1	
26	240100	1	1	
27	270160	2	2	
28	091150	2	2	
29	360180	1	1	
30	391010	1	1	
31	091160	2	2	
32	270170	4	4	

REF. NO.	PART. NO.	QUANTITY		NOTE
		T-102R	T-135HO	
33	091170	1	1	
34	360210	1		
	360400		1	
35	120120	1	1	
36	270180	1	1	
37	420280	1	1	
38	120090	2	2	
39	091220	2	2	
40	360190	1	1	
41	270050	1	1	
42	091180	1	1	
43	360200	1	1	
44	120130	1	1	
45	360220	1		
	360410		1	
46	120140	1	1	
47	270200	2	2	
48	091190	1	1	
50	240110	1	1	
51	480830	1	1	
52	210030	1	1	
53	391020	1	1	
54	420070	2	2	
55	090030	1	1	
56	030020	1	1	
57	240350	1	1	
58	240360	1	1	
59	481170		1	
60	753080		1	
61	091730		1	

REF. NO.	PART. NO.	QUANTITY		NOTE
		T-102R	T-135HO	
62	031600		1	
63	060300		1	
64	090120		1	
65	511330		1	
66	150430		1	
67	545240		1	
68	031080		1	
69	510280		1	
70	751810	1		
	750970		1	
71	721450	1	1	
72	722860	1		
	726410		1	
73	570820	2	2	
74	511200	2	2	
75	723660	4	4	
76	090120	12	12	
77	030930	8	8	
78	060300	8	8	
79	030900	4	4	
80	722820	1		
81	726400		1	
82	030650	1	1	
83	030860	4	4	
84	180230	1	1	
85	541410	1	1	
86	180220	1	1	
87	541400	1	1	
88	750890	1	1	
89	541450	2	2	
90	030970		4	

ACCESSORIES

Description	code	Description	code
SPIRAL AUGERS		EXTENSION	
FOR NEA 39 E - 45 E - 52 E - 57 E - HO 35		FOR NEA 39 E - 45 E - 52 E - 57 E - HO 35	
	EXTRA Series ø mm 80x800 720020		Without spiral, length 400 mm 750360
	EXTRA Series ø mm 100x800 720040		
	EXTRA Series ø mm 120x800 720070		
	EXTRA Series ø mm 150x800 720170		
	EXTRA Series ø mm 180x800 720210		
	EXTRA Series ø mm 200x800 720350		
AUGERS FOR T 102R - T 135 HO		EXTENSION FOR T 102R - T 135 HO	
With quick coupling and short spiral		With quick coupling	
	EXTRA Series ø mm 100x700 721930	Without spiral length mm 300 751370	
	EXTRA Series ø mm 150x700 721940		
	EXTRA Series ø mm 200x700 721950	Without spiral length mm 500 751380	
	EXTRA Series ø mm 250x700 721960	Without spiral length mm 1000 751390	
	EXTRA Series ø mm 300x700 721970		
	EXTRA Series ø mm 350x700 721980		
	EXTRA Series ø mm 400x700 721990		
AUGERS FOR T 102R - T 135 HO		EXTENSIONS FOR T 102R - T 135 HO EARTH AUGERS	
With quick coupling and long spiral		With spiral on the whole length	
	EXTRA Series ø mm 100x700 722000		ø mm 100x700 751400
	EXTRA Series ø mm 150x700 722010		ø mm 150x700 751410
	EXTRA Series ø mm 200x700 722020		ø mm 200x700 751420
	EXTRA Series ø mm 250x700 722030		ø mm 250x700 751430
	EXTRA Series ø mm 300x700 722040		ø mm 300x700 751440
	EXTRA Series ø mm 350x700 722050		ø mm 350x700 751450
	EXTRA Series ø mm 400x700 722060		ø mm 400x700 751460
AUGERS FOR T 102R - T 135 HO		DIGGING CUTTERS FOR AUGERS	
With quick coupling and short spiral		NEA 39 E - 45 E - 52 E - 57 E - HO 35 - T 102R - T 135 HO	
	Long EXTRA Series ø mm 100x1000 722070	Tempered steel	
	Long EXTRA Series ø mm 150x1000 722080	For augers with ø mm 80 600470	
	Long EXTRA Series ø mm 200x1000 722090	For augers with ø mm 100 600160	
	Long EXTRA Series ø mm 250x1000 722100	For augers with ø mm 150 600170	
	Long EXTRA Series ø mm 300x1000 722110	For augers with ø mm 200 600180	
	Long EXTRA Series ø mm 350x1000 722120	For augers with ø mm 250 600190	
	Long EXTRA Series ø mm 400x1000 722130	For augers with ø mm 300 600200	
		For augers with ø mm 350 600210	
		For augers with ø mm 400 600220	
AUGERS FOR T 102R - T 135 HO		DRILLS FOR AUGERS	
With quick coupling and long spiral		Tempered steel	
	Long EXTRA Series ø mm 100x1000 722140		For NEA 39 E - 45 E - 52 E - 57 E - HO 35 750750
	Long EXTRA Series ø mm 150x1000 722150		For T 102R - T 135 HO 750760
	Long EXTRA Series ø mm 200x1000 722160		
	Long EXTRA Series ø mm 250x1000 722170		
	Long EXTRA Series ø mm 300x1000 722180		
	Long EXTRA Series ø mm 350x1000 722190		
	Long EXTRA Series ø mm 400x1000 722200		