

This catalog covers:
TH048D-□C60

This fig. covers:
TITLE

PARTS CATALOG

2-STROKE ENGINE

TH048D

| PRODUCT CODE | NOTE |
|--------------|--------------|
| TH048D-AC60 | BRUSH-CUTTER |
| | |
| | |
| | |
| | |
| | |

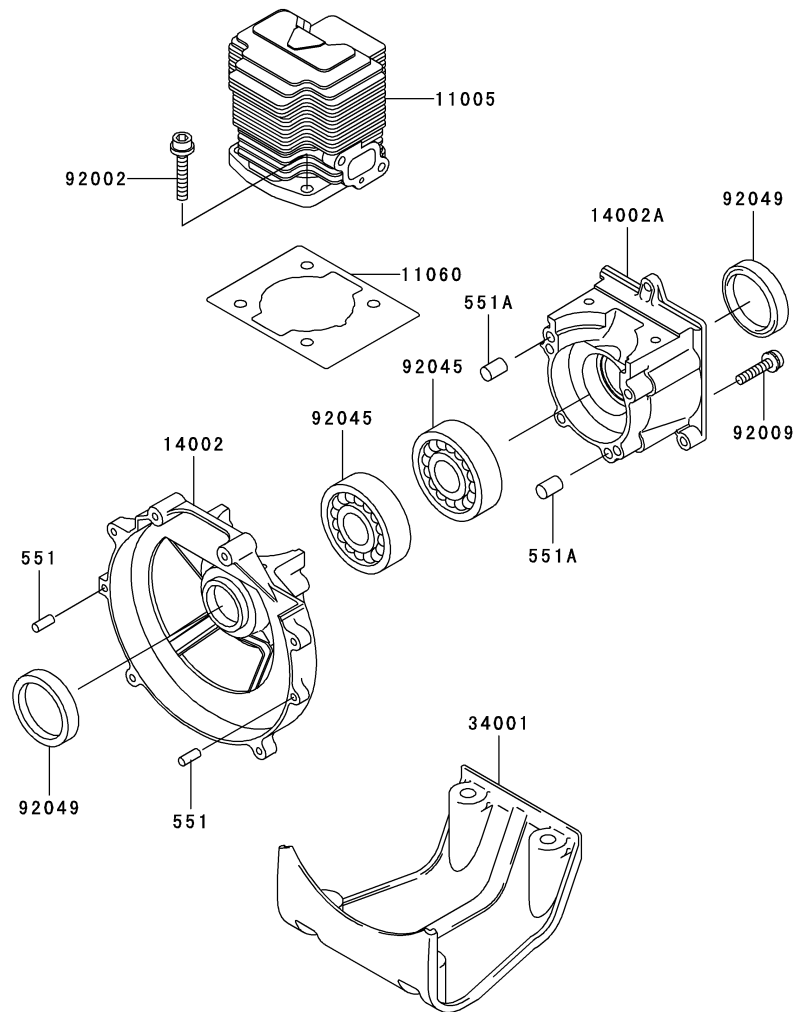
This catalog covers:

TH048D- □ C60

This fig. covers:

01 CYLINDER/CRANKCASE

E0110-A060A



| Ref. No. | Part No. | Description | Quantity |
|----------|------------|---------------------|----------|
| 11005 | 11005-2123 | CYLINDER-ENGINE | 1 |
| 11060 | 11060-2296 | GASKET,CYLINDER | 1 |
| 14002 | 14002-2316 | CRANKCASE | 1 |
| 14002A | 14002-2317 | CRANKCASE | 1 |
| 34001 | 34001-2082 | STAND | 1 |
| 92002 | 92002-2150 | BOLT | 4 |
| 92009 | 92009-2115 | SCREW | 4 |
| 92045 | 92045-2005 | BEARING-BALL,6202C3 | 2 |
| 92049 | 92049-2206 | SEAL-OIL | 2 |
| 551 | 551A0410 | PIN-DOWEL,4X10 | 2 |
| 551A | 551A0610 | PIN-DOWEL,6X10 | 2 |

This catalog covers:

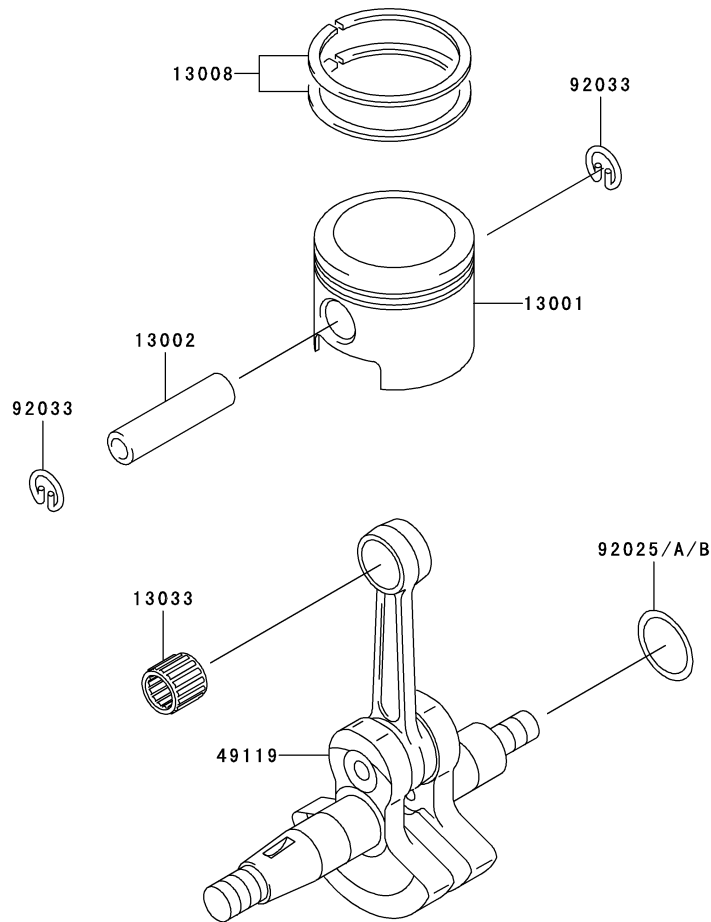
TH048D- □ C60

02

This fig. covers:

PISTON/CRANKSHAFT

E0120-A054C



| Ref. No. | Part No. | Description | Quantity |
|----------|------------|-------------------|----------|
| 13001 | 13001-2141 | PISTON-ENGINE | 1 |
| 13002 | 13002-2067 | PIN-PISTON | 1 |
| 13008 | 13008-6044 | RING-SET-PISTON | 1 |
| 13033 | 13033-2061 | BEARING-SMALL END | 1 |
| 49119 | 49119-2173 | CRANKSHAFT-ASSY | 1 |
| 92025 | 92025-2135 | SHIM,T=0.20 | AR |
| 92025A | 92025-2136 | SHIM,T=0.40 | AR |
| 92025B | 92025-2137 | SHIM,T=0.60 | AR |
| 92033 | 92033-2058 | RING-SNAP | 2 |

This catalog covers:

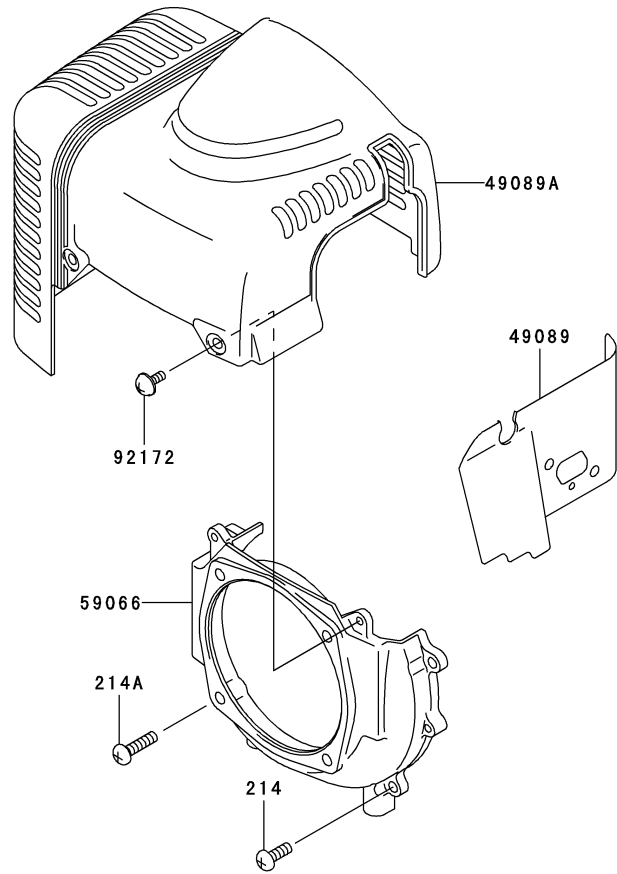
TH048D- □ C60

03

This fig. covers:

COOLING-EQUIPMENT

E0150-A334E



| Ref. No. | Part No. | Description | Quantity |
|----------|------------|------------------|----------|
| 49089 | 49089-2386 | SHROUD-ENGINE | 1 |
| 49089A | 49089-2553 | SHROUD-ENGINE | 1 |
| 59066 | 59066-2794 | HOUSING-FAN | 1 |
| 92172 | 92172-2060 | SCREW,4X10 | 2 |
| 214 | 214B0514 | SCREW-PAN+-.5X14 | 3 |
| 214A | 214B0520 | SCREW-PAN+-.5X20 | 1 |

This catalog covers:

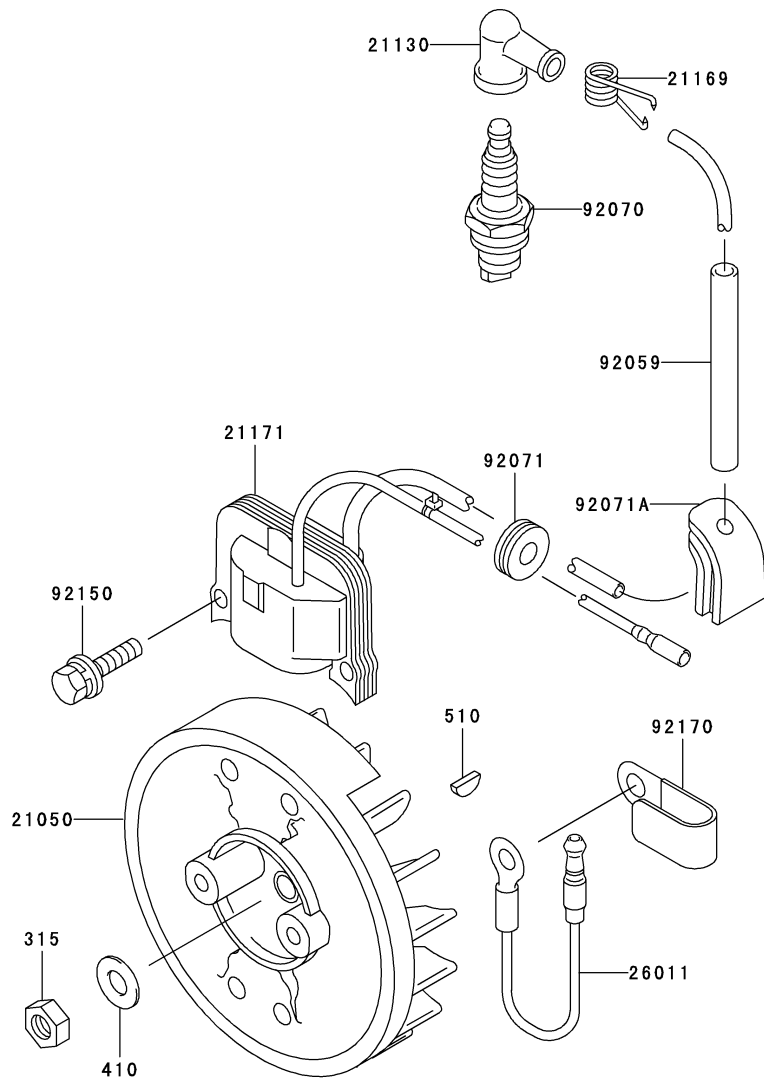
TH048D- □ C60

04

This fig. covers:

ELECTRIC-EQUIPMENT

E0160-A083A



| Ref. No. | Part No. | Description | Quantity |
|----------|------------|-----------------------------|----------|
| 21050 | 21050-2240 | FLYWHEEL | 1 |
| 21130 | 21130-2056 | CAP-SPARK PLUG | 1 |
| 21169 | 21169-2051 | TERMINAL | 1 |
| 21171 | 21171-2195 | COIL-ASSY-IGNITION | 1 |
| 26011 | 26011-2113 | WIRE-LEAD | 1 |
| 92059 | 92059-2103 | TUBE,6X7.4X108 | 1 |
| 92070 | 92070-2060 | PLUG-SPARK,BMR6A(NGK),SOLID | 1 |
| 92071 | 92071-2097 | GROMMET | 1 |
| 92071A | 92071-2143 | GROMMET,IGNITION COIL | 1 |
| 92150 | 92150-2182 | BOLT,5X18 | 2 |
| 92170 | 92170-2041 | CLAMP | 1 |
| 315 | 315B1000 | NUT-HEX-FINE,10MM | 1 |
| 410 | 410B1000 | W-PLAIN-S,10MM | 1 |
| 510 | 510A3100 | KEY-WOODRUFF | 1 |

This catalog covers:

TH048D- □ C60

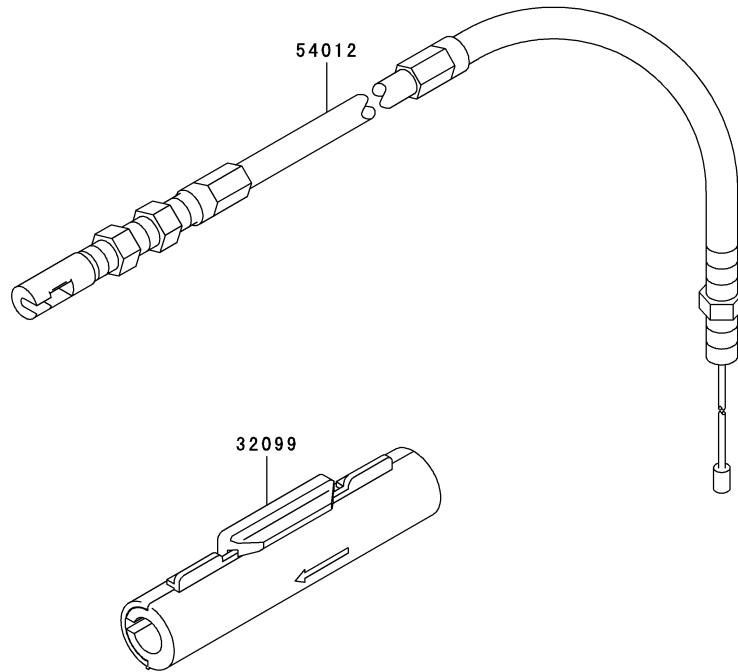
05

This fig. covers:

CONTROL-EQUIPMENT

E0170-A228A

| Ref. No. | Part No. | Description | Quantity |
|----------|------------|----------------|----------|
| 32099 | 32099-2326 | CASE | 1 |
| 54012 | 54012-2342 | CABLE-THROTTLE | 1 |



This catalog covers:

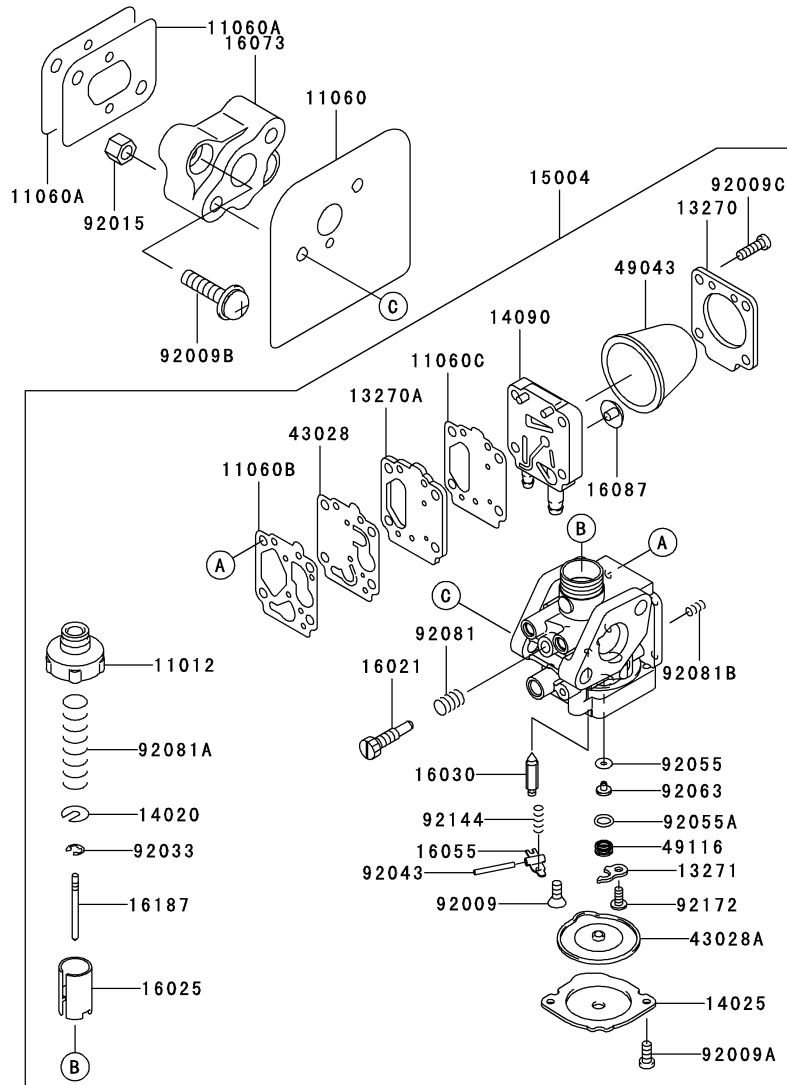
TH048D- □ C60

06

This fig. covers:

CARBURETOR

E0180-A604F



| Ref. No. | Part No. | Description | Quantity |
|----------|------------|---------------------|----------|
| 11012 | 11012-2185 | CAP,BODY | 1 |
| 11060 | 11060-2298 | GASKET,CARBURETOR | 1 |
| 11060A | 11060-2299 | GASKET,INSULATOR | 2 |
| 11060B | 11060-2305 | GASKET | 1 |
| 11060C | 11060-2306 | GASKET | 1 |
| 13270 | 13270-2014 | PLATE | 1 |
| 13270A | 13270-2015 | PLATE | 1 |
| 13271 | 13271-2247 | PLATE | 1 |
| 14020 | 14020-2009 | RETAINER,VALVE | 1 |
| 14025 | 14025-2027 | COVER | 1 |
| 14090 | 14090-2060 | COVER | 1 |
| 15004 | 15004-2028 | CARBURETOR-ASSY | 1 |
| 16021 | 16021-2008 | SCREW-THROTTLE STOP | 1 |
| 16025 | 16025-2173 | VALVE-THROTTLE | 1 |
| 16030 | 16030-2087 | VALVE-FLOAT | 1 |
| 16055 | 13168-2118 | ARM-FLOAT | 1 |
| 16073 | 16073-2176 | INSULATOR | 1 |
| 16087 | 16087-2059 | VALVE-CHECK | 1 |
| 16187 | 16187-2056 | NEEDLE-JET | 1 |
| 43028 | 43028-2082 | DIAPHRAGM | 1 |
| 43028A | 43028-2093 | DIAPHRAGM | 1 |
| 49043 | 49043-2071 | PUMP-PRIMING | 1 |
| 49116 | 49116-2066 | VALVE-ASSY | 1 |
| 92009 | 92009-2053 | SCREW | 1 |
| 92009A | 92009-2061 | SCREW | 2 |
| 92009B | 92009-2249 | SCREW,5X20 | 2 |
| 92009C | 92009-2361 | SCREW,3X14 | 4 |
| 92015 | 92015-2097 | NUT,M5 | 2 |
| 92033 | 92033-2070 | RING-SNAP | 1 |
| 92043 | 92043-2099 | PIN | 1 |
| 92055 | 92055-2077 | RING-O | 1 |
| 92055A | 92055-2207 | RING-O | 1 |
| 92063 | 92063-2476 | JET-MAIN,#56 | 1 |
| 92081 | 92081-2245 | SPRING | 1 |
| 92081A | 92081-2272 | SPRING | 1 |
| 92081B | 92081-2340 | SPRING | 1 |
| 92144 | 92144-2009 | SPRING | 1 |
| 92172 | 92172-2086 | SCREW | 1 |

This catalog covers:

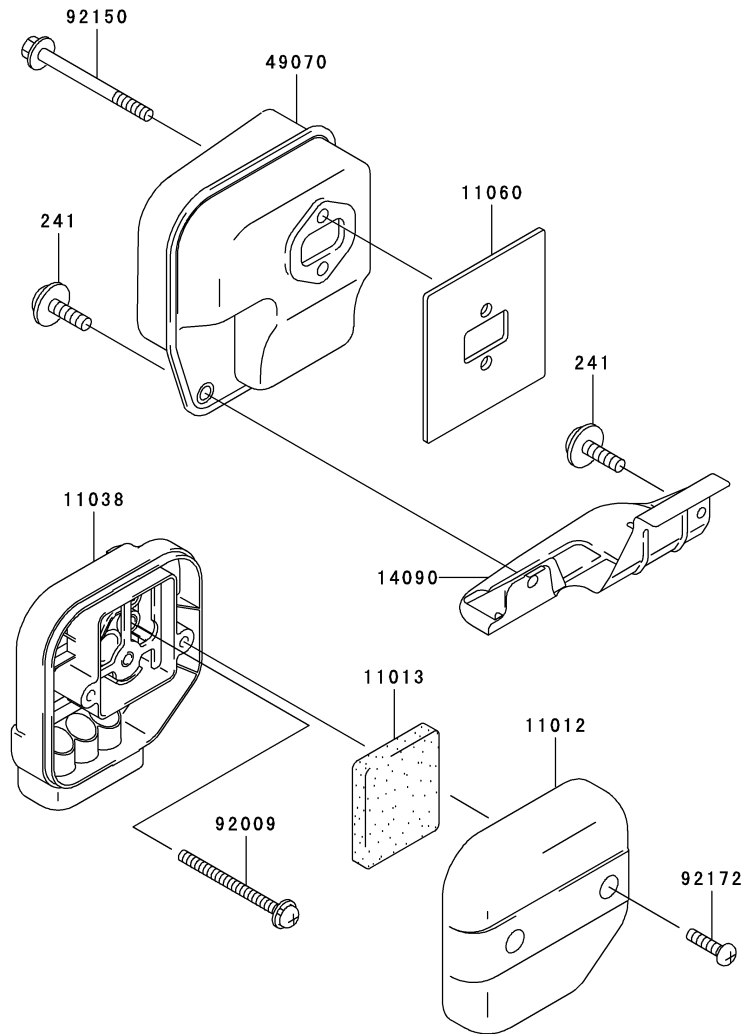
TH048D- □ C60

07

This fig. covers:

AIR-FILTER/MUFFLER

E0190-A766A



| Ref. No. | Part No. | Description | Quantity |
|----------|------------|----------------------|----------|
| 11012 | 11012-2349 | CAP,AIR FILTER | 1 |
| 11013 | 11013-2081 | ELEMENT-AIR FILTER | 1 |
| 11038 | 11038-2055 | CASE-ASSY-AIR FILTER | 1 |
| 11060 | 11060-2297 | GASKET,MUFFLER | 1 |
| 14090 | 14090-2059 | COVER,MUFFLER | 1 |
| 49070 | 49070-2630 | MUFFLER-COMP | 1 |
| 92009 | 92009-2449 | SCREW,5X55 | 2 |
| 92150 | 92150-2180 | BOLT,6X65 | 2 |
| 92172 | 92172-2062 | SCREW | 2 |
| 241 | 241B0512 | SCREW-PAN-WP+,5X12 | 2 |

This catalog covers:

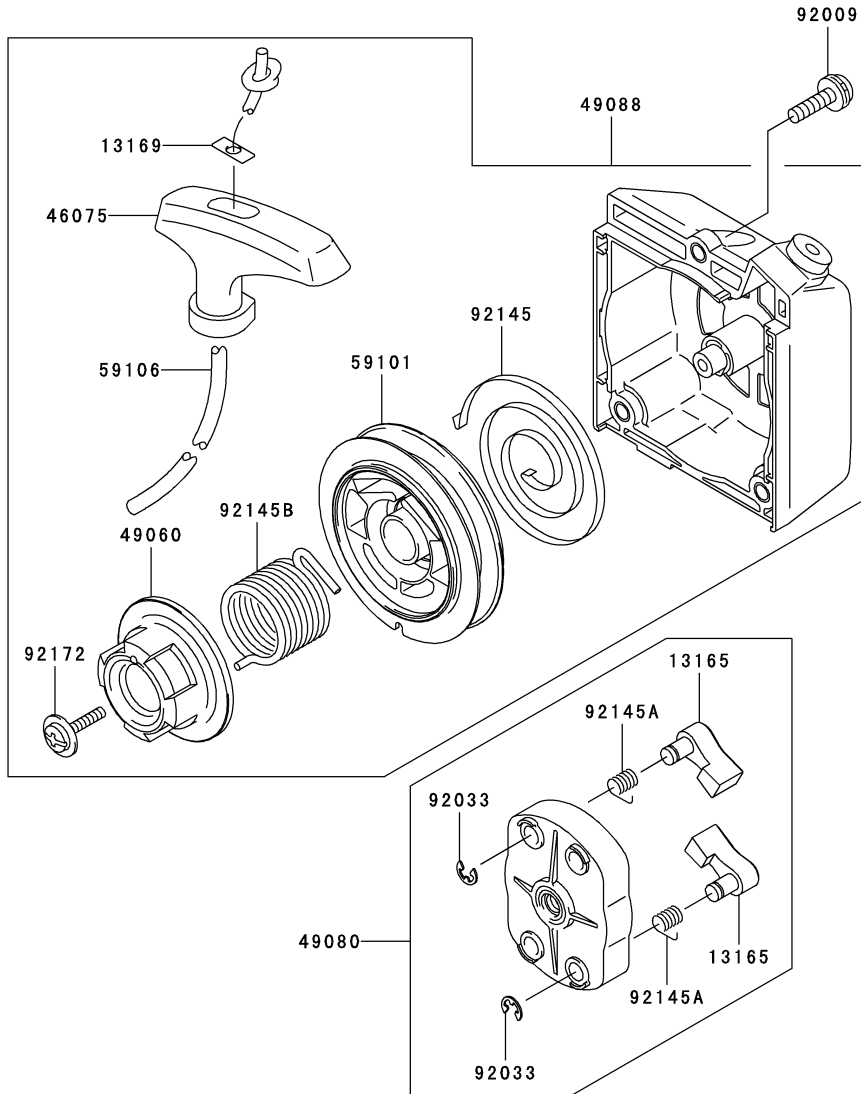
TH048D- □ C60

09

This fig. covers:

STARTER

E0210-A350A



| Ref. No. | Part No. | Description | Quantity |
|----------|------------|-----------------------|----------|
| 13165 | 13165-2103 | PAWL | 2 |
| 13169 | 13169-2386 | PLATE, RECOIL STARTER | 1 |
| 46075 | 46075-2067 | GRIP, RECOIL STARTER | 1 |
| 49060 | 49060-2063 | CAM, STARTER-RECOIL | 1 |
| 49080 | 49080-2200 | PULLEY-STARTING | 1 |
| 49088 | 49088-2544 | STARTER-RECOIL | 1 |
| 59101 | 59101-2120 | REEL, STARTER-RECOIL | 1 |
| 59106 | 59106-2064 | ROPE, 3.8X950 | 1 |
| 92009 | 92009-2249 | SCREW, 5X20 | 3 |
| 92033 | 92033-2010 | RING-SNAP | 2 |
| 92145 | 92145-2112 | SPRING, SPIRAL | 1 |
| 92145A | 92145-2148 | SPRING | 2 |
| 92145B | 92145-2150 | SPRING | 1 |
| 92172 | 92172-2052 | SCREW | 1 |

This catalog covers:

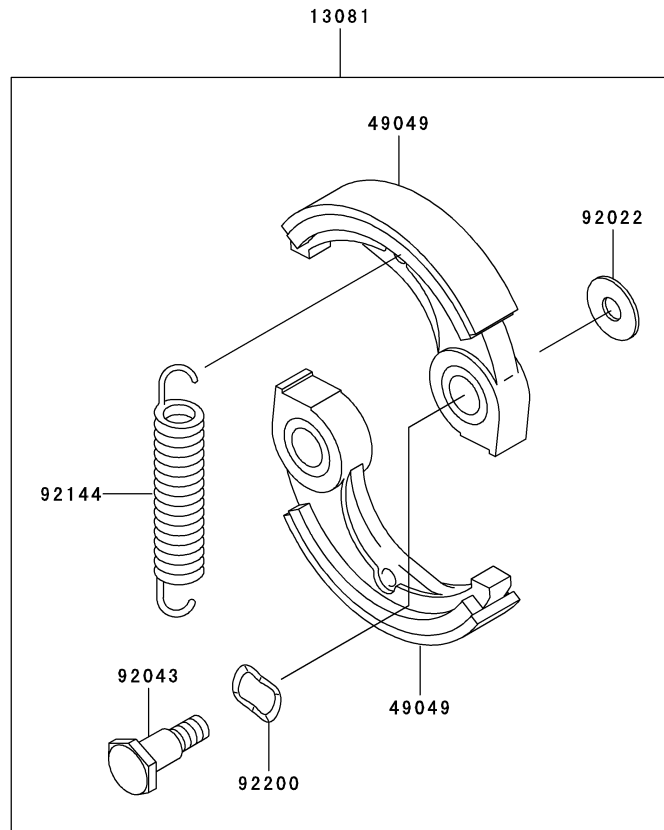
TH048D- □ C60

E0220-A022A

10

This fig. covers:

P.T.O-EQUIPMENT



| Ref. No. | Part No. | Description | Quantity |
|----------|------------|-----------------------------|----------|
| 13081 | 13081-2221 | CLUTCH-ASSY | 1 |
| 49049 | 49049-2075 | SHOE-CLUTCH | 2 |
| 92022 | 92026-2125 | WASHER | 2 |
| 92043 | 92043-2210 | PIN,CLUTCH | 2 |
| 92144 | 92144-2390 | SPRING | 1 |
| 92200 | 92200-2064 | WASHER,SPRING,10.5X14.5X0.3 | 2 |

This catalog covers:

TH048D- □ C60

11

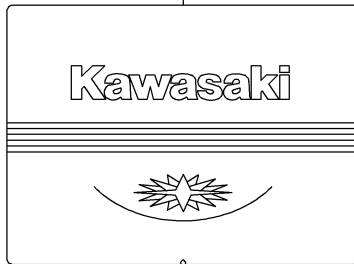
This fig. covers:

LABEL

F0290-A309A

| Ref. No. | Part No. | Description | Quantity |
|----------|------------|---------------|----------|
| 56038 | 56038-2894 | LABEL-BRAND | 1 |
| 56039 | 56039-2701 | LABEL-PRODUCT | 1 |
| 56070 | 56070-2020 | LABEL-WARNING | 1 |

56038



56039



56070



This catalog covers:

TH048D- C60

This fig. covers:

PART NAME INDEX

| | |
|---------------------------|----|
| AIR-FILTER/MUFFLER..... | 07 |
| CARBURETOR..... | 06 |
| CONTROL-EQUIPMENT..... | 05 |
| COOLING-EQUIPMENT..... | 03 |
| CYLINDER/CRANKCASE | 01 |
| ELECTRIC-EQUIPMENT..... | 04 |
| FUEL-TANK/FUEL-VALVE..... | 08 |
| LABEL..... | 11 |
| P.T.O-EQUIPMENT..... | 10 |
| PISTON/CRANKSHAFT | 02 |
| STARTER..... | 09 |

This catalog covers:

TH048D- C60

This fig. covers:

NUMERICAL PARTS INDEX

| Part No. | Fig No. | Part No. | Fig No. | Part No. | Fig No. | Part No. | Fig No. | Part No. | Fig No. |
|-----------------|---------|-----------------|---------|-----------------|---------|----------|---------|----------|---------|
| 11005-2123..... | 01 | 49089-2553..... | 03 | 92172-2062..... | 07 | | | | |
| 11012-2185..... | 06 | 49116-2066..... | 06 | 92172-2086..... | 06 | | | | |
| 11012-2349..... | 07 | 49119-2173..... | 02 | 92190-2157..... | 08 | | | | |
| 11013-2081..... | 07 | 51001-2268..... | 08 | 92192-2149..... | 08 | | | | |
| 11038-2055..... | 07 | 51048-2078..... | 08 | 92200-2064..... | 10 | | | | |
| 11060-2296..... | 01 | 510A3100..... | 04 | 99996-6088..... | 08 | | | | |
| 11060-2297..... | 07 | 54012-2342..... | 05 | | | | | | |
| 11060-2298..... | 06 | 551A0410..... | 01 | | | | | | |
| 11060-2299..... | 06 | 551A0610..... | 01 | | | | | | |
| 11060-2305..... | 06 | 56038-2894..... | 11 | | | | | | |
| | | | | | | | | | |
| 11060-2306..... | 06 | 56039-2701..... | 11 | | | | | | |
| 13001-2141..... | 02 | 56070-2020..... | 11 | | | | | | |
| 13002-2067..... | 02 | 59066-2794..... | 03 | | | | | | |
| 13008-6044..... | 02 | 59101-2120..... | 09 | | | | | | |
| 13033-2061..... | 02 | 59106-2064..... | 09 | | | | | | |
| 13081-2221..... | 10 | 92002-2150..... | 01 | | | | | | |
| 13165-2103..... | 09 | 92009-2053..... | 06 | | | | | | |
| 13168-2118..... | 06 | 92009-2061..... | 06 | | | | | | |
| 13169-2386..... | 09 | 92009-2115..... | 01 | | | | | | |
| 13270-2014..... | 06 | 92009-2249..... | 06 | | | | | | |
| | | | | | | | | | |
| 13270-2015..... | 06 | 92009-2249..... | 09 | | | | | | |
| 13271-2247..... | 06 | 92009-2361..... | 06 | | | | | | |
| 14002-2316..... | 01 | 92009-2383..... | 08 | | | | | | |
| 14002-2317..... | 01 | 92009-2449..... | 07 | | | | | | |
| 14020-2009..... | 06 | 92015-2097..... | 06 | | | | | | |
| 14025-2027..... | 06 | 92025-2135..... | 02 | | | | | | |
| 14069-2088..... | 08 | 92025-2136..... | 02 | | | | | | |
| 14090-2059..... | 07 | 92025-2137..... | 02 | | | | | | |
| 14090-2060..... | 06 | 92026-2125..... | 10 | | | | | | |
| 15004-2028..... | 06 | 92033-2010..... | 09 | | | | | | |
| | | | | | | | | | |
| 16021-2008..... | 06 | 92033-2058..... | 02 | | | | | | |
| 16025-2173..... | 06 | 92033-2070..... | 06 | | | | | | |
| 16030-2087..... | 06 | 92037-2139..... | 08 | | | | | | |
| 16073-2176..... | 06 | 92043-2099..... | 06 | | | | | | |
| 16087-2059..... | 06 | 92043-2210..... | 10 | | | | | | |
| 16187-2056..... | 06 | 92045-2005..... | 01 | | | | | | |
| 21050-2240..... | 04 | 92049-2206..... | 01 | | | | | | |
| 21130-2056..... | 04 | 92055-2077..... | 06 | | | | | | |
| 21169-2051..... | 04 | 92055-2207..... | 06 | | | | | | |
| 21171-2195..... | 04 | 92059-2103..... | 04 | | | | | | |
| | | | | | | | | | |
| 214B0514..... | 03 | 92063-2476..... | 06 | | | | | | |
| 214B0520..... | 03 | 92070-2060..... | 04 | | | | | | |
| 241B0512..... | 07 | 92071-2097..... | 04 | | | | | | |
| 26011-2113..... | 04 | 92071-2142..... | 08 | | | | | | |
| 315B1000..... | 04 | 92071-2143..... | 04 | | | | | | |
| 32052-2215..... | 08 | 92081-2245..... | 06 | | | | | | |
| 32099-2326..... | 05 | 92081-2272..... | 06 | | | | | | |
| 34001-2082..... | 01 | 92081-2340..... | 06 | | | | | | |
| 410B1000..... | 04 | 92143-2162..... | 08 | | | | | | |
| 43028-2082..... | 06 | 92144-2009..... | 06 | | | | | | |
| | | | | | | | | | |
| 43028-2093..... | 06 | 92144-2390..... | 10 | | | | | | |
| 46075-2067..... | 09 | 92145-2112..... | 09 | | | | | | |
| 49019-2114..... | 08 | 92145-2148..... | 09 | | | | | | |
| 49043-2071..... | 06 | 92145-2150..... | 09 | | | | | | |
| 49049-2075..... | 10 | 92150-2180..... | 07 | | | | | | |
| 49060-2063..... | 09 | 92150-2182..... | 04 | | | | | | |
| 49070-2630..... | 07 | 92170-2041..... | 04 | | | | | | |
| 49080-2200..... | 09 | 92171-2073..... | 08 | | | | | | |
| 49088-2544..... | 09 | 92172-2052..... | 09 | | | | | | |
| 49089-2386..... | 03 | 92172-2060..... | 03 | | | | | | |