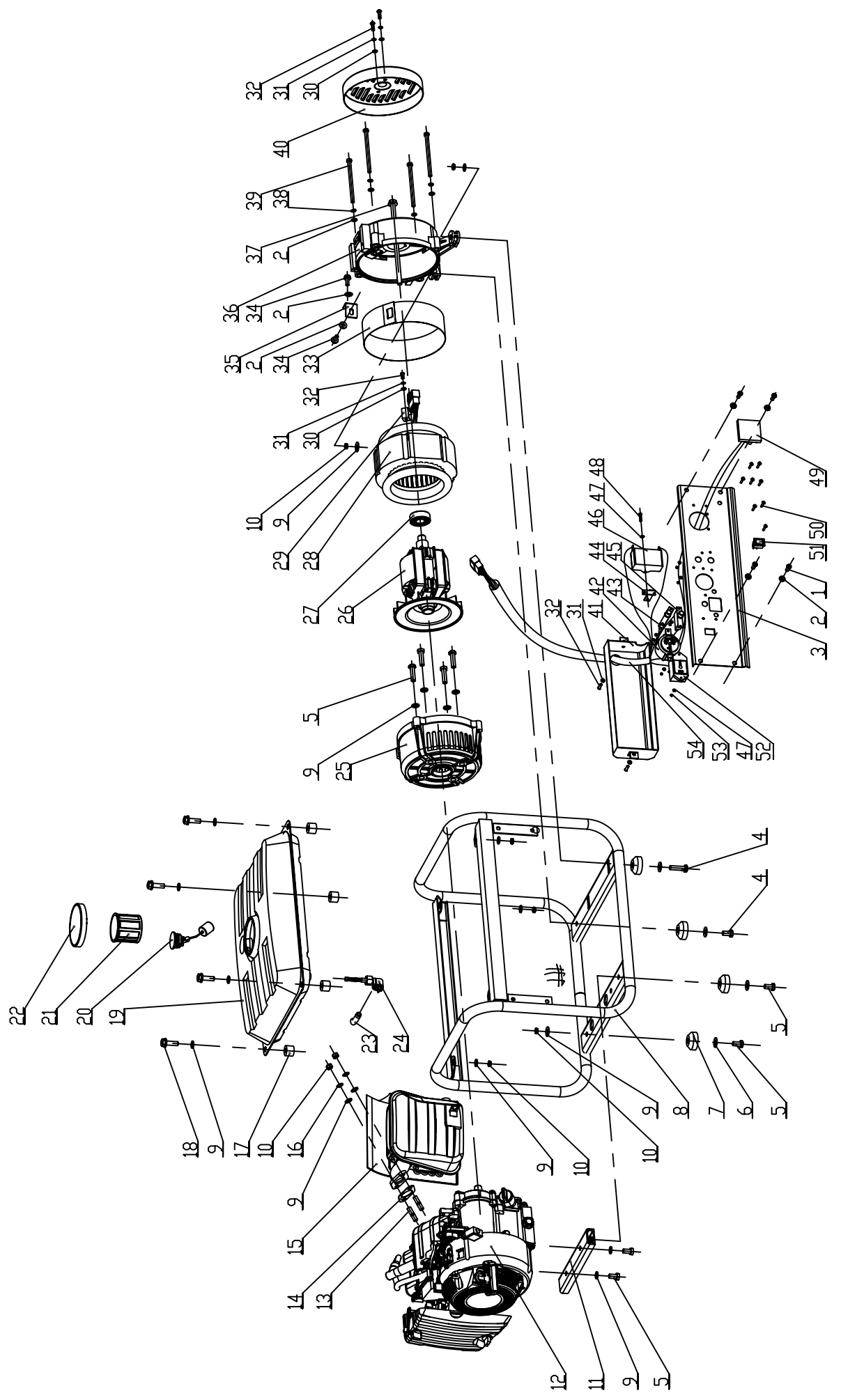


**Exploded Diagram of Generator**

**Model SPG1200**



### Generator Parts List

Model SPG1200

REF.NO.	PART NO.	DESCRIPTION	QTY.
	Model SPG1200		
1	GB/T818	Screw M6×16	4
2	GB95	Flat washer 5	4
3	G1200-001	Control panel	1
4	GB/T5780	Screw M8×35	2
5	GB/T5781	Screw M8×20	8
6	G1200-002	Flat washer	4
7	G1200-003	Vibration absorber	4
8	G1200-004	Frame	1
9	GB95	Flat washer 8	16
10	GB/T6184	Nut M8	9
11	G1200-005	Engine support rack	1
12	<b>SPE80-D</b>	<b>Engine</b>	<b>1</b>
13	G1200-006	Exhaust bolt	2
14	G1200-007	Exhaust gasket	1
15	G1200-008	Muffler	1
16	GB93	Spring washer 8	2
17	G1200-009	Vibration absorber washer	4
18	GB/T16674	Screw M8×30	4
19	G1200-010	Fuel tank	1
20	G1200-011	Fuel meter	1
21	G1200-012	Fuel filter	1
22	G1200-013	Fuel tank cap	1
23	G1200-014	Fuel hose	1
24	G1200-015	Fuel cock	1
25	G1200-016	Alternator front frame	1
26	G1200-017	Rotor assembly	1
27	GB276	Ball bearing 6203	1
28	G1200-018	Stator assembly	1
29	G1200-019	Bridge rectifier	1
30	GB95	Flat washer 5	3
31	GB93	Spring washer 5	3
32	GB845	Screw M5×15	3
33	G1200-020	Stator cover	1
34	GB845	Screw M6×16	2
35	G1200-021	Muffler support	1
36	G1200-022	Rear frame	1
37	G1200-023	Alternator center screw	1
38	GB93	Spring washer 6	4
39	G1200-024	Screw M6×90	4
40	G1200-025	Alternator rear cover	1
41	G1200-026	Control panel cover	1
42	G1200-027	AC socket	1
43	G1200-028	AC circuit breaker	1
44	G1200-029	Condenser rack	1
45	G1200-030	DC circuit breaker	1
46	G1200-031	Condenser	1
47	GB95	Flat washer 4	14
48	GB845	Screw M4×15	1
49	G1200-032	Voltage meter	1
50	GB/T819.1-2000	Screw M3×16	10
51	G1200B-003	Engine saw	1
52	G1200-033	DC socket	1
53	GB/T6170	Nut M3	12
54	G1200-034	Wire bind	1

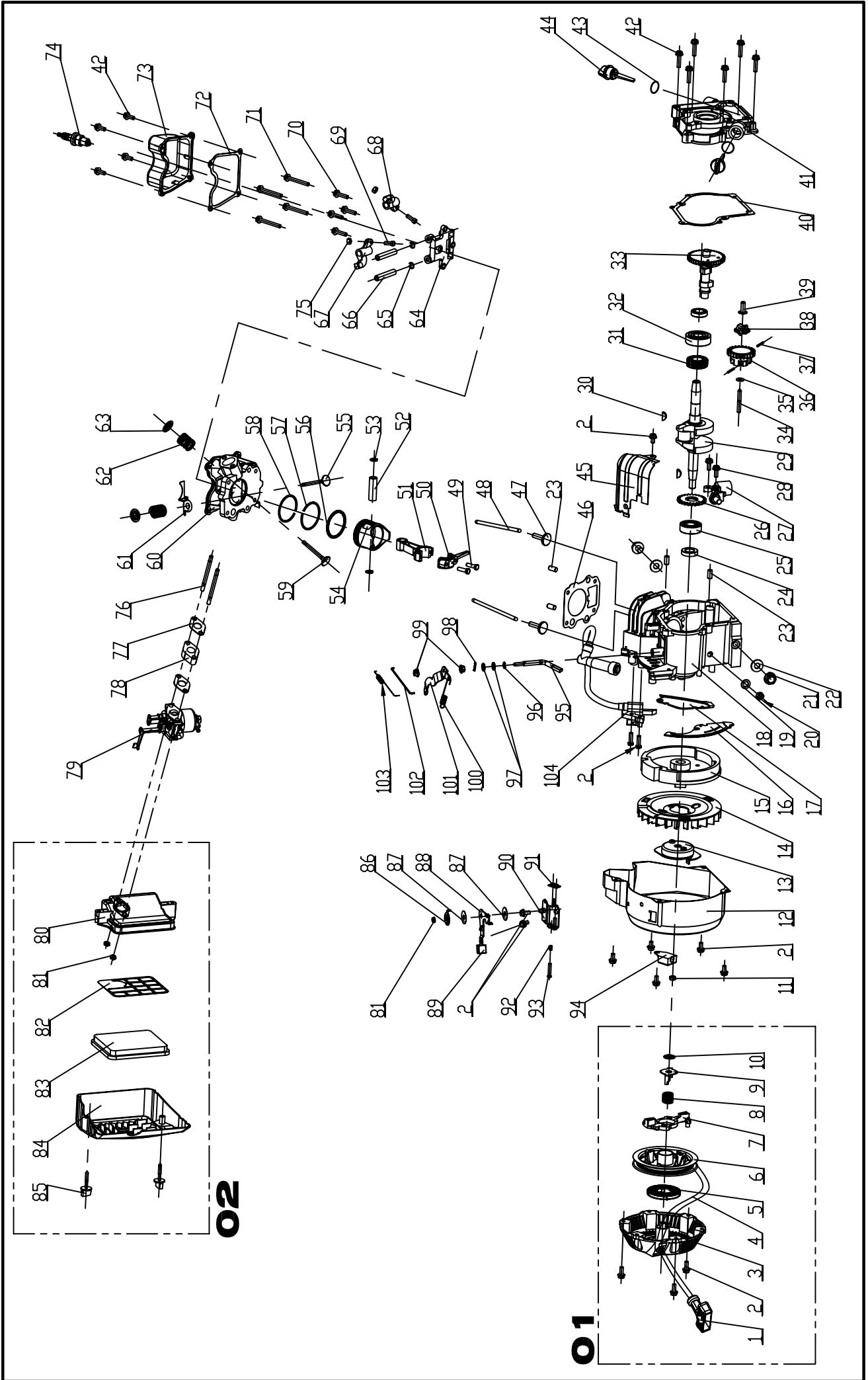
Please provide following information for ordering parts and maintenance:

- . Model number
- . Part description,reference and part number as shown in parts list

Model SPE80-D

Engine exploded drawing

**SUMEC**  
Power Machinery



**Engine Parts List**

**Model SPE80-D**

REF.NO.	PART NO.	DESCRIPTION	QTY.
	Model SPE80-D		
1	E80-01-001	Rope handle	1
2	GB5787	Screw M6×10	11
3	E80-01-002	Starter case	1
4	E80-01-003	Rope	1
5	E80-01-004	Spiral spring	1
6	E80-01-005	Drum sheave	1
7	E80-01-006	Driving pawl	1
8	E80-01-007	Spring	1
9	E80-01-008	Driving pawl	1
10	E80-01-009	Lock washer	1
11	E80-002	Flywheel nut	1
12	E80-003	Fan cas	1
13	E80-004	Starter bush	1
14	E80-005	Fan	1
15	E80-006	Flywheel	1
16	E80-007	Air shroud	1
17	E80-008	Air shroud	1
18	E80-009	Crankcase	1
19	GB/T95	Flat washer 10	1
20	GB/T41	Nut M10	1
21	E80-010	Drain plug	2
22	E80-011	Drain plug seal	2
23	E80-012	Dowel pin	4
24	GB276	Ball bearing 6203	1
25	E80-013	Oil seal	1
26	E80-014	Governing driving gear	1
27	E80-015	Oil level sensor	1
28	GB5787	Screw M6×15	2
29	E80-016	Crankshaft	1
30	GB1099	Key 5.0×6.5×16	2
31	E80-017	Timing gear	1
32	GB276	Ball bearing 6303	1
33	E80-018	Camshaft assembly	1
34	E80-019	Governing gear shaft	1
35	E80-020	Washer	1
36	E80-021	Governing gear	1
37	E80-022	Flyweight pin	2
38	E80-023	Flyweight	2
39	E80-024	Collar	1
40	E80-025	Crankcase gasket	1
41	E80-026	Crankcase cover	1
42	GB5787	Screw M6×25	12
43	E80-027	Oil gauge seal	2
44	E80-028	Oil gauge	2
45	E80-029	Air shroud	1
46	E80-030	Cylinder gasket	1
47	E80-031	Valve lifter	2
48	E80-032	Push rod	2
49	E80-077	Connecting rod screw M6×25	2
50	E80-033	Connecting rod cap	1

51	E80-034	Connecting rod body	1
52	E80-035	Piston pin	2
53	E80-036	Piston pin circlip	2
54	E80-037	Poston	1
55	E80-038	Intake valve	1
56	E80-039	Third piston ring	1
57	E80-040	Second piston ring	1
58	E80-041	First piston ring	1
59	E80-042	Exhaust valve	1
60	E80-043	Cylinder head assembly	1
61	E80-044	Oil channel cover	1
62	E80-045	Valve spring	2
63	E80-046	Valve retainer	2
64	E80-047	Rocker arm seat	1
65	E80-048	Circlip	2
66	E80-049	Rocker arm shaft	2
67	E80-050	Rocker arm (A)	1
68	E80-051	Rocker arm (B)	1
69	E80-052	Valve clearance adjusting screw	2
70	GB5787	Screw M6×15	4
71	GB5787	Screw M8×55	4
72	E80-053	Head cover gasket	1
73	E80-054	Cylinder head cover assembly	1
74	E80-055	Spark plug	1
75	E80-056	Valve clearance adjusting nut	1
76	E80-057	Intake bolt	2
77	E80-058	Carburetor gasket	3
78	E80-059	Carburetor connector	1
79	E80-060	Carburetor	1
80	E80-02-001	Air cleaner base	1
81	GB/T6170	Nut M6	3
82	E80-02-002	Element seat	1
83	E80-02-003	Air cleaner element	1
84	E80-02-004	Air cleaner cover	1
85	E80-02-005	Cover screw	2
86	E80-061	Press plate	1
87	E80-062	Flat washer	2
88	E80-063	Throttle control lever	1
89	E80-064	Cap of governing lever	1
90	E80-065	Governing rack	1
91	E80-066	Engine saw	1
92	E80-067	Spring	1
93	GB/T67	Screw M5×30	1
94	E80-068	Diode	1
95	E80-069	Governing shaft	1
96	E80-070	Circlip	1
97	E80-071	Flat washer 8	2
98	E80-072	Clip	1
99	E80-073	Nut	2
100	E80-074	Governing spring	1
101	E80-075	Governing lever	1
102	E80-076	Carburetor connecting rod	1
103	E80-077	Carburetor spring	1
104	E80-078	T.C.I.	2

Note: Oil alarm system is optional according to the order requirement.

Please provide following information for ordering parts and maintenance:

. Model number

. Part description,reference and part number as shown in parts list

[www.sumecmachinery.com](http://www.sumecmachinery.com)